



Dear American Recorder Customer

We are pleased to present our most recent full line catalog with more pages featuring new and exciting audio, video, music and photo products.

It is with great enthusiasm that we present two new drum accessories! The DRUMMER'S WRENCH is an 8-in-1 multi tool specifically for use by drummers. Also the DRUMSETER is a unique, lightweight and portable interlocking drum carpet. Both these products are designed to make life easier for both the amateur and professional drummer.

New for home theater is our HD FIDELITY 5.1 SURROUND SPEAKER SYSTEM. These speakers feature carbon cones, phase plugs, soft dome tweeters and a 10" 150 watt subwoofer. All cabinets are manufactured from MDF with real wood veneer finish. This high performance system not only delivers exceptional sonic excellence, but also includes our SOUND ALIGNMENT SYSTEMS (SAS) set up kit. The kit features a laser alignment tool for precise speaker positioning and a sound level meter for proper sound level calibration. There is no other system like it anywhere.

Finally, we continue to lead the way in the photo industry with the #1 brand of portable digital photo studios - PHOTO STUDIO IN A BOX®. Along with several other new accessories, we introduce the SB-180 "PRO" PHOTO STUDIO IN A BOX®. This new model employs our latest technologies: built-in reflectors, daylight temperature lights and a full size SLR table-top camera stand. Of course the entire unit folds up into itself for easy travel and storage, just what you would expect from PHOTO STUDIO IN A BOX®.

Great products are only as good as the service behind them! When you call us you will always get a live person on the phone. We understand that your time is precious so your business will always be handled in a courteous and professional manner. If you have any questions or comments, feel free to contact me personally at 800 777-9580 or alan@americanrecorder.com.

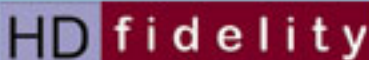
Sincerely,
Alan Adelstein
American Recorder Technologies, Inc.



TABLE OF CONTENTS

- Professional Audio Cables.....3
- Professional Video Cables "Pop Series".....4
- Professional Video Cables "Pro Series".....5
- Professional Video Cables "VGA".....6
- Optical-Digital Cables "Coaxial & Toslink".....7
- Professional Video Cables "HDMI & DVI".....8
- Professional Video Cables "DVI, DFP & Adapters".....9
- HDMI Switches/Splitters.....10
- Cables, CAT 5e & CAT 6.....11
- Cables, 3.5mm Cables.....12
- Pro Audio Cables "Performance Series Mic & Instrument Cables".....13
- Pro Audio Cables "Pro Series Mic & Instrument Cables".....14
- Pro Audio Cables "Multi Channel Snake Cables".....15
- Pro Audio Cables "Multi Channel Snake Cables".....16
- Pro Audio Cables "Digital Recording Cables".....17
- Pro Audio Cables "TI Patch, MIDI & Pro Speaker Cable".....18
- Cables, AC Cables.....19
- Digital Cables, USB 2.0 & Firewire.....20
- AV Connectors, Solder Type.....21
- AV Connectors "Pro Series" Solder.....22
- Bulk Wire.....23
- Adapters, Kits.....24
- Adapters, Audio/Video.....25
- Adapters, Audio/Video.....26
- Wall Plates "Stainless Steel".....27
- Wall Plates "Residential".....28
- Tools "Compression tool & Fittings".....29
- Tools "Communication Tools & Install".....30
- Tools "Hand Tools".....31
- Tools "Drivers, Wrenches & Pliers".....32
- Tools "Cutting Tools & Problem Solvers".....33
- Tools "Test Equipment".....34
- Tools "Test Equipment".....35
- Organization, Bins, Storage.....36
- Rock Drawers.....37
- Rock Panels.....38
- Sound Alignment System, Laser.....39
- Sound Alignment System, Kits.....40
- Sound Alignment System, Accessories.....41
- Sound Alignment System, Application Guide.....42
- Cable Management "Snake Skin".....43
- Cable Management "Regrip" Straps & Mounts.....44
- Studio Accessories.....45
- Studio Accessories.....46
- Studio Accessories.....47
- Studio Accessories.....48
- Speaker Stands.....49
- HD Fidelity Speakers, 5.1 Systems.....50
- HD Fidelity Speakers, Monitors.....51
- HD Fidelity In Wall Speakers.....52
- HD Fidelity In Wall Speakers.....53
- Plasma/LCD Mounts.....54
- Plasma/LCD Mounts.....55
- Plasma/LCD Mounts.....56
- Plasma/LCD Mounts.....57
- Plasma/LCD Mounts.....58
- Plasma/LCD Mounts.....59
- Plasma/LCD Mounts "Cable Management".....60
- Personal Audio Mixer "P mix".....61
- Cleaning Products, Audio/Video.....62
- Cleaning Products "DVD/CD Cleaners".....63
- Photo Studio in a Box.....64
- Photo Studio in a Box "Model SB-180".....65
- Photo Studio in a Box "Models SB-075/SB-101CS".....66
- Photo Studio in a Box "Model SB-200".....67
- Photo Studio in a Box "Accessories".....68
- Micro fiber Cleaning Cloths & Bags.....69
- Cleaning Products "Digital Sensor Cleaners".....70
- Cleaning Products "Carbonfiber Digibrush".....71
- Cleaning Products "CO2 Dust & Particle Remover".....72
- TriPods.....73
- Bags.....74

"Our Brands Make The Difference"



All prices are subject to change without notice. Not responsible for errors, changes or omissions. For terms and conditions, contact customer service at 800 777 9580 or info@americanrecorder.com

"Printed in China"

Music

One-of-a-kind products for the musician and recording studio. Simply put, we manufacture many functional and useful solutions geared toward both the artist and engineer. Many of these products are used daily by top recording studios and live sound contractors.



Custom Audio Video

Great sound and performance, enhanced by our unique design and style, make our audio and video products the best choice for today's residential and commercial system integrator. From our ARTIC™ super-flexible cables to our High Definition Fidelity Speakers, Plasma Mounts and everything in-between, you can rely on consistent quality and long term dependability. We are your logical choice for all installation necessities.

Regrip
cable straps



Snake Skin



Rack shelves,
drawers and panels



Gig Kits

CO2 Cleaning kits



Photo Studio In A Box



Digital
Camera
Core



Digiswabs



Photo



Desk Top
Mic Stand



pMix



Speaker Sets

We offer more creative solutions for today's digital photographer than any other accessory manufacturer! Whether it is a complete PHOTO STUDIO IN A BOX®, a camera tripod or a DIGITAL CAMERA SENSOR CLEANER, we have just what you need at an affordable price. Don't be fooled by the imitators. There is only one AMERICAN RECORDER!

Personal Audio & Podcasting

Since our inception, one of our greatest attributes at AMERICAN RECORDER TECHNOLOGIES has been our ability to design and manufacture products that transcend conventionality. This tradition continues with our pMIX Personal Audio Mixer. The pMIX is just one example of "The Evolution of Digital". It is truly the practical solution for today's ever changing technology.

We take the "VOODOO" out of cables!

Audio & Video cable manufactures will make just about any claim in order to sell their expensive cables! They talk about their "proprietary geometry" or "advanced shielding" hoping one suspends their common sense, lease forgets about basic science.

We at American Recorder Technologies understand there is no magic bullet for cable design. Superior design is an appropriate mix of conductor material, dielectric, geometry, fillers, jacket, etc. - combined to deliver the very best neutral and uncolored performance. This is true for the recording studio, broadcast booth, live stage or home theater system.

Whether it is audio or video, analog or digital, professional or consumer, our ARTIC brand takes the "Voodoo" out of cables, delivering superior sonic and visual excellence at a very affordable price.

Good Pop Series

Perfect upgrade for replacing poor quality factory cables and delivering studio performance at an affordable price. Advance 3mm coaxial design (26/0.12) with spiral shield for maximum flexibility and high quality gold RCA connector. Terminated with lead-free silver solder.



MODEL NO.	DESCRIPTION	MODEL NO.	DESCRIPTION
POP-100.5	1/2 Meter (1.6 Ft)	POP-S-100.5	single 1/2 Meter (1.6 Ft)
POP-101	1 Meter (3.3 Ft)	POP-S-101	single 1 Meter (3.3 Ft)
POP-101.5	1.5 Meter (4.9 Ft)	POP-S-101.5	single 1.5 Meter (4.9 Ft)
POP-102	2 Meter (6.6 Ft)	POP-S-102	single 2 Meter (6.6 Ft)
POP-103	3 Meter (9.9 Ft)	POP-S-103	single 3 Meter (9.9 Ft)
POP-104	4 Meter (13.2 Ft)	POP-S-104	single 4 Meter (13.2 Ft)
POP-105	5 Meter (16.5 Ft)	POP-S-105	single 5 Meter (16.5 Ft)
POP-106	6 Meter (19.8 Ft)	POP-S-106	single 6 Meter (19.8 Ft)
POP-125	pair 25 feet	POP-S-125	single 25 feet
POP-130	pair 30 feet	POP-S-130	single 30 feet
POP-135	pair 35 feet	POP-S-135	single 35 feet
POP-140	pair 40 feet	POP-S-140	single 40 feet
POP-145	pair 45 feet	POP-S-145	single 45 feet
POP-150	pair 50 feet	POP-S-150	single 50 feet

BETTER Blues Series

Super flexible OFC wire (20/0.12) assures low capacitance and consistent impedance for uncolored, natural performance. Features ARTIC gold RCA connector with Teflon insulator, 360 degree strain relief and attractive aluminum barrel. Terminated with lead-free-silver solder.



MODEL NO.	DESCRIPTION
BLU-05	pair 1/2 Meter (1.6 Ft)
BLU-1	pair 1 Meter (3.3 Ft)
BLU-2	pair 2 Meter (6.6 Ft)
BLU-3	pair 3 Meter (9.9 Ft)
BLU-4	pair 4 Meter (13.2 Ft)
BLU-5	pair 5 Meter (16.5 Ft)
BLU-6	pair 6 Meter (19.8 Ft)
BLU-S-05	single 1/2 Meter (1.6 Ft)
BLU-S-1	single 1 Meter (3.3 Ft)
BLU-S-2	single 2 Meter (6.6 Ft)
BLU-S-3	single 3 Meter (9.9 Ft)
BLU-S-4	single 4 Meter (13.2 Ft)
BLU-S-5	single 5 Meter (16.5 Ft)
BLU-S-6	single 6 Meter (19.8 Ft)

BEST Jazz Series

Premium balanced cable featuring advanced mini quad OFC wire (4 x 30/0.08) terminated with ARTIC gold RCA connector. Exceptional definition, detail and imaging. Quad design is effective in canceling electromagnetic noises. Terminated with lead free silver-solder.

MODEL NO.	DESCRIPTION
JAZ-05	Audio, pair 1/2 Meter (1.6 Ft)
JAZ-1	Audio, pair 1 Meter (3.3 Ft)
JAZ-2	Audio, pair 2 Meter (6.6 Ft)
JAZ-3	Audio, pair 3 Meter (9.9 Ft)
JAZ-4	Audio, pair 4 Meter (13.2 Ft)
JAZ-5	Audio, pair 5 Meter (16.5 Ft)

Ultimate Classical Series

Our very best state of the art balance cable delivering unrivaled sound quality, accuracy and construction. State of the art quad configured OFC wire (4 x 20/0.12) terminated with delux gold RCA connectors. Also available with gold XLR balanced connectors. Terminated with lead-free silver solder.



MODEL NO.	DESCRIPTION
CLAX-05	RCA pair 1/2 Meter (1.6 Ft)
CLAX-1	RCA pair 1 Meter (3.3 Ft)
CLAX-2	RCA pair 2 Meter (6.6 Ft)
CLAX-3	RCA pair 3 Meter (9.9 Ft)
CLAX-4	RCA pair 4 Meter (13.2 Ft)
CLAX-5	RCA pair 5 Meter (16.5 Ft)
CLAX-6	RCA pair 6 Meter (19.8 Ft)
CLAX-08	XLR pair 1/2 Meter (1.6 Ft)
CLAX-1	XLR pair 1 Meter (3.3 Ft)
CLAX-2	XLR pair 2 Meter (6.6 Ft)
CLAX-3	XLR pair 3 Meter (9.9 Ft)
CLAX-4	XLR pair 4 Meter (13.2 Ft)
CLAX-5	XLR pair 5 Meter (16.5 Ft)
CLAX-6	XLR pair 6 Meter (19.8 Ft)



AMERICAN RECORDER
TECHNOLOGIES

800 777-9580 - www.americanrecorder.com
Voice: 805 527-9580 Fax: 805 527-1433

Just as with our audio cables, the POP SERIES VIDEO CABLES offer exceptional performance at a very affordable price. Made from our super-flexible 3mm -75 ohm (with 100% SPIRAL SHIELD) OFC wire and POP Series RCA or BNC connectors. Terminated with lead-free silver solder. Quality tested.

COMPOSITE (1 cond.)



Add a "B" after model # for BNC conn.

MODEL NO.	DESCRIPTION
POP-400.5	.5 Meter (1.6 Ft.)
POP-401	1 Meter (3.3 Ft.)
POP-401.5	1.5 Meter (4.9 Ft.)
POP-402	2 Meter (6.6 Ft.)
POP-403	3 Meter (9.9 Ft.)
POP-404	4 Meter (13.2 Ft.)
POP-405	5 Meter (16.5 Ft.)
POP-406	6 Meter (19.8 Ft.)
POP-425	25 feet
POP-430	30 feet
POP-435	35 feet
POP-440	40 feet
POP-445	45 feet
POP-450	50 feet

S VIDEO



MODEL NO.	DESCRIPTION
SVHS-101	1 Meter (3.3 Ft.)
SVHS-102	2 Meter (6.6 Ft.)
SVHS-103	3 Meter (9.9 Ft.)
SVHS-104	4 Meter (13.2 Ft.)
SVHS-105	5 Meter (16.5 Ft.)
SVHS-106	6 Meter (19.8 Ft.)
SVHS-125	25 feet
SVHS-130	30 feet
SVHS-135	35 feet
SVHS-140	40 feet
SVHS-145	45 feet
SVHS-150	50 feet
SVHS-160	60 feet
SVHS-170	70 feet
SVHS-180	80 feet
SVHS-190	90 feet
SVHS-1000	100 feet

AUDIO/VIDEO (3 cond.)



MODEL NO.	DESCRIPTION
POP-200.5	.5 Meter (1.6 Ft.)
POP-201	1 Meter (3.3 Ft.)
POP-201.5	1.5 Meter (4.9 Ft.)
POP-202	2 Meter (6.6 Ft.)
POP-203	3 Meter (9.9 Ft.)
POP-204	4 Meter (13.2 Ft.)
POP-205	5 Meter (16.5 Ft.)
POP-206	6 Meter (19.8 Ft.)
POP-225	25 feet
POP-230	30 feet
POP-235	35 feet
POP-240	40 feet
POP-245	45 feet
POP-250	50 feet

COMPONENT (3 cond.)



Add a "B" after model # for BNC conn.

MODEL NO.	DESCRIPTION
POP-300.5	.5 Meter (1.6 Ft.)
POP-301	1 Meter (3.3 Ft.)
POP-301.5	1.5 Meter (4.9 Ft.)
POP-302	2 Meter (6.6 Ft.)
POP-303	3 Meter (9.9 Ft.)
POP-304	4 Meter (13.2 Ft.)
POP-305	5 Meter (16.5 Ft.)
POP-306	6 Meter (19.8 Ft.)
POP-325	25 feet
POP-330	30 feet
POP-335	35 feet
POP-340	40 feet
POP-345	45 feet
POP-350	50 feet

COMPONENT (5 cond. BNC)



Add a "B" after model # for BNC conn.

MODEL NO.	DESCRIPTION
POP-600.5	.5 meter
POP-601	1 meter
POP-601.5	1.5 meter
POP-602	2 meter
POP-603	3 meter
POP-604	4 meter
POP-605	5 meter
POP-606	6 meter
POP-625	25 feet
POP-630	30 feet
POP-635	35 feet
POP-640	40 feet
POP-645	45 feet
POP-650	50 feet
POP-675	75 feet
POP-6100	100 feet

800 777-9580 - www.americanrecorder.com
 Voice: 805 527-9580 Fax: 805 527-1433



Professional Video Cables

Pop Series

HIGH RESOLUTION
3mm - 75 ohm



Our very best Video cable delivers superb picture clarity and definition to meet today and tomorrow's High Definition demands. Made with our super-flexible 5mm -75 ohm OFC wire (with 100% Spiral Shield) and available with RCA or BNC connectors. Each cable is hand crafted, terminated with lead-free silver solder. Quality tested.

COMPOSITE RCA



MODEL NO.	DESCRIPTION	MODEL NO.	DESCRIPTION
VID-101	1 Meter (3.3 ft.)	VID-140	40 feet
VID-102	2 Meter (6.6 ft.)	VID-145	45 feet
VID-103	3 Meter (9.9 ft.)	VID-150	50 feet
VID-104	4 Meter (13.2 ft.)	VID-160	60 feet
VID-105	5 Meter (16.5 ft.)	VID-170	70 feet
VID-106	6 Meter (19.8 ft.)	VID-180	80 feet
VID-126	25 feet	VID-190	90 feet
VID-130	30 feet	VID-1000	100 feet
VID-136	36 feet		

COMPOSITE BNC



MODEL NO.	DESCRIPTION	MODEL NO.	DESCRIPTION
VID-101B	1 meter	VID-140B	40 feet
VID-102B	2 meter	VID-145B	45 feet
VID-103B	3 meter	VID-150B	50 feet
VID-104B	4 meter	VID-160B	60 feet
VID-105B	5 meter	VID-170B	70 feet
VID-106B	6 meter	VID-180B	80 feet
VID-125B	25 feet	VID-190B	90 feet
VID-130B	30 feet	VID-1000B	100 feet
VID-136B	36 feet		

S VIDEO



MODEL NO.	DESCRIPTION	MODEL NO.	DESCRIPTION
SVHS-201	1 Meter (3.3 ft.)	SVHS-240	40 feet
SVHS-202	2 Meter (6.6 ft.)	SVHS-245	45 feet
SVHS-203	3 Meter (9.9 ft.)	SVHS-250	50 feet
SVHS-204	4 Meter (13.2 ft.)	SVHS-260	60 feet
SVHS-205	5 Meter (16.5 ft.)	SVHS-270	70 feet
SVHS-206	6 Meter (19.8 ft.)	SVHS-280	80 feet
SVHS-225	25 feet	SVHS-290	90 feet
SVHS-230	30 feet	SVHS-2000	100 feet
SVHS-236	36 feet		

COMPONENT (3 cond. RCA)



MODEL NO.	DESCRIPTION	MODEL NO.	DESCRIPTION
COMP-100.5	0.5 meter	COMP-140	40 feet
COMP-101	1 meter	COMP-145	45 feet
COMP-102	2 meter	COMP-150	50 feet
COMP-103	3 meter	COMP-160	60 feet
COMP-104	4 meter	COMP-170	70 feet
COMP-106	6 meter	COMP-180	80 feet
COMP-106	6 meter	COMP-190	90 feet
COMP-125	25 feet	COMP-1000	100 feet
COMP-130	30 feet	COMP-SP	(bulk per ft.)
COMP-136	36 feet		

COMPONENT (3 cond. BNC)



MODEL NO.	DESCRIPTION	MODEL NO.	DESCRIPTION
COMP-100.5B	0.5 meter	COMP-140B	40 feet
COMP-101B	1 meter	COMP-145B	45 feet
COMP-102B	2 meter	COMP-150B	50 feet
COMP-103B	3 meter	COMP-160B	60 feet
COMP-104B	4 meter	COMP-170B	70 feet
COMP-106B	6 meter	COMP-180B	80 feet
COMP-106B	6 meter	COMP-190B	90 feet
COMP-125B	25 feet	COMP-1000B	100 feet
COMP-130B	30 feet	COMP-SPB	(bulk per ft.)
COMP-136B	36 feet		



VGA Cable - HD15 to HD15



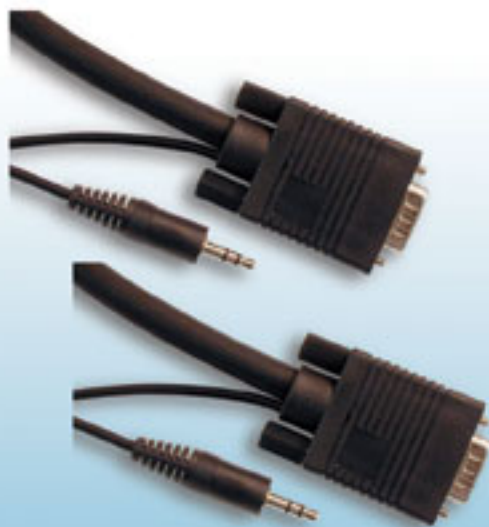
MODEL NO.	DESCRIPTION
VGA-1003	3 feet
VGA-1006	6 feet
VGA-1010	10 feet
VGA-1015	15 feet
VGA-1025	25 feet
VGA-1035	35 feet
VGA-1050	50 feet
VGA-1075	75 feet
VGA-1100	100 feet
VGA-1150	150 feet

VGA Cable - HD15 to 3 RCA



MODEL NO.	DESCRIPTION
VGA-2003	3 feet
VGA-2006	6 feet
VGA-2010	10 feet
VGA-2015	15 feet
VGA-2025	25 feet
VGA-2035	35 feet
VGA-2050	50 feet
VGA-2075	75 feet
VGA-2100	100 feet
VGA-2150	150 feet

VGA Cable - HD15 + 3.5 Stereo to HD15 + 3.5 Stereo



MODEL NO.	DESCRIPTION
VGA/3.5-1003	3 feet
VGA/3.5-1006	6 feet
VGA/3.5-1010	10 feet
VGA/3.5-1015	15 feet
VGA/3.5-1025	25 feet
VGA/3.5-1035	35 feet
VGA/3.5-1050	50 feet
VGA/3.5-1100	100 feet

Pop Digital Coaxial



MODEL NO.	DESCRIPTION	MODEL NO.	DESCRIPTION
POP-500.5	.5 Meter (1.6 ft.)	POP-506	6 Meter (19.8 ft.)
POP-501	1 Meter (3.3 ft.)	POP-525	25 feet
POP-501.5	1.5 Meter (4.9 ft.)	POP-530	30 feet
POP-502	2 Meter (6.6 ft.)	POP-535	35 feet
POP-503	3 Meter (9.9 ft.)	POP-540	40 feet
POP-504	4 Meter (13.2 ft.)	POP-545	45 feet
POP-505	5 Meter (16.5 ft.)	POP-550	50 feet

Pro Digital Coaxial



MODEL NO.	DESCRIPTION	MODEL NO.	DESCRIPTION
DIG-101	1 Meter	DIG-140	40 feet
DIG-102	2 Meter	DIG-145	45 feet
DIG-103	3 Meter	DIG-150	50 feet
DIG-104	4 Meter	DIG-160	60 feet
DIG-105	5 Meter	DIG-170	70 feet
DIG-106	6 Meter	DIG-180	80 feet
DIG-125	25 feet	DIG-190	90 feet
DIG-130	30 feet	DIG-1000	100 feet
DIG-135	35 feet	DIG-SP	Bulk (per ft.)

110 ohm AES/EBU



MODEL NO.	DESCRIPTION	MODEL NO.	DESCRIPTION
DIG-201	1 Meter	DIG-240	40 feet
DIG-202	2 Meter	DIG-245	45 feet
DIG-203	3 Meter	DIG-250	50 feet
DIG-204	4 Meter	DIG-260	60 feet
DIG-205	5 Meter	DIG-270	70 feet
DIG-206	6 Meter	DIG-280	80 feet
DIG-225	25 feet	DIG-290	90 feet
DIG-230	30 feet	DIG-2100	100 feet
DIG-235	35 feet	DIG-AES/EBU-SP	Bulk (per ft.)

Toslink 3mm w/molded ends



MODEL NO.	DESCRIPTION
TOS-101	1 Meter
TOS-102	2 Meter
TOS-103	3 Meter
TOS-105	5 Meter

Toslink 5mm w/metal ends



MODEL NO.	DESCRIPTION
TOS-301	1 meter
TOS-302	2 meter
TOS-303	3 meter
TOS-304	4 meter
TOS-305	5 meter
TOS-306	6 meter

Toslink to Coaxial Digital Converter

Model No. TOS-CX-100



Converts toslink optical digital audio connection to coaxial digital (S/PDIF) RCA connection. Ideal for long transmission runs. Includes power supply.



Artic HDMI cables offer superior high performance features - 10.2 Gbps, 1080P+, 12 Bit color, 120 Hz Refresh Rate, True HD Audio (up to 7.5 meters) 24 karat gold plated connectors, OFC wire with triple shielded PE Insulator provides exceptional digital signal transfer with complete immunity to EMI and RF interference and leakage.

1.3B HDMI male to HDMI male



MODEL NO.	DESCRIPTION
HDMI-100.5	0.5 METERS
HDMI-101	1 METERS
HDMI-102	2 METERS
HDMI-103	3 METERS
HDMI-105	5 METERS

1.3B HDMI male to HDMI male w/ snakeskin cover



MODEL NO.	DESCRIPTION
HDMI-100.5-RA	0.5 METERS
HDMI-101-RA	1 METERS
HDMI-102-RA	2 METERS
HDMI-103-RA	3 METERS
HDMI-105-RA	5 METERS

DVI-D male to HDMI male



MODEL NO.	DESCRIPTION
VIMI-100.5	0.5 METERS
VIMI-101	1 METERS
VIMI-102	2 METERS
VIMI-103	3 METERS
VIMI-105	5 METERS

HDMI male to HDMI male "SUPER LOW ATTENUATED"

24
awg



MODEL NO.	DESCRIPTION
HDMI-207.5	7.5 METERS
HDMI-210	10 METERS
HDMI-215	15 METERS
HDMI-220	20 METERS

DVI-D male to HDMI male "SUPER LOW ATTENUATED"

24
awg



MODEL NO.	DESCRIPTION
VIMI-210	10 Meters
VIMI-215	15 Meters
VIMI-220	20 Meters

Professional Video Cables



HDMI & DVI



HDMI Cable Extender Model NO. HDMI-601



The HDMI extender is connected at the end of a long HDMI cable or used to chain two cables together and create a longer HDMI extension. It works by regenerating the high definition video and digital audio signal and receives power from the transmitters source.

HDMI Right Angle Swivel Model NO. HDMI-RA-360



Male to female HDMI adapter articulates 180 degrees up or down and swivels 360 degrees for application in any configuration.

DVI-D male to DVI-D male



note: dual link available, call for details



STANDARD

SUPER LOW ATTENUATED



single link

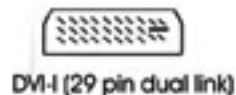
MODEL NO.	DESCRIPTION
DVI-D-102	2 Meter
DVI-D-103	3 Meter
DVI-D-105	5 Meter



single link

MODEL NO.	DESCRIPTION
DVI-D-207.5	7.5 Meter
DVI-D-210	10 Meter
DVI-D-215	15 Meter

DVI-I - Digital Video Interface DFP - Digital Flat Panel



MODEL NO.	DESCRIPTION
DVI-I-103	3 Meter
DVI-I-105	5 Meter
DVI-I-110	10 Meter
DVI-I-115	15 Meter



MODEL NO.	DESCRIPTION
DFP-20-103	3 Meter
DFP-20-105	5 Meter
DFP-20-110	10 Meter
DFP-20-115	15 Meter
DFP-26-103	3 Meter
DFP-26-105	5 Meter
DFP-26-110	10 Meter
DFP-26-115	15 Meter

Must use with matching DVI-D cable for Pioneer, Sony, & Sharp media box.

HDMI & DVI-D ADAPTERS



HDMI FEMALE to DVI-D MALE



HFDMA-A

HDMI MALE to DVI-D FEMALE



HMDFS-S

HDMI MALE to DVI-D FEMALE LEFT SIDE ORIENTATION



HMDFL-LSO

HDMI MALE to DVI-D FEMALE RIGHT SIDE ORIENTATION



HMDFR-RSO

HDMI FEMALE to HDMI FEMALE



HMDI-GA

HDMI FEMALE to DVI-D FEMALE



HDFD-C

DVI-D Female to DVI-D Female



DVI-DF/FA

DVI-D Male to DVI-D Female RIGHT ANGLE



DVI-DMF-ADP

DVI-D Female to DVI-D Female RIGHT ANGLE



DVI-DFR-RA

DVI-I Male to VGA Female



DVI-WGA-M

DVI-I Female to VGA Male



DVI-WGA-F



800 777-9580 - www.americanrecorder.com
Voice: 805 527-9580 Fax: 805 527-1433

HDMI Switches/Splitters

HDMI 1 IN/2 OUT Splitter

Model No. HDMI-SP-801



- Distributes single HDMI/HDTV device up to two HDMI/DVI displays with zero signal loss.
- Maintains 720i, 720p, 1080i and 1080p resolutions.
- HDCP compliant
- HDMI 1.3 compliant
- Includes 9v DC power supply(10 watts maximum)
- Measures 4.75"L x 2.5"W x 0.75"H

HDMI 2 IN/4 OUT Splitter

Model No. HDMI-SP-802



- Distributes two HDMI/HDTV devices up to four HDMI/DVI displays with zero signal loss.
- Maintains 720i, 720p, 1080i and 1080p resolutions.
- HDCP compliant
- HDMI 1.3 compliant
- Includes remote control
- Includes 9v DC power supply(10 watts Max.)
- Measures 8"L x 4.5"W x 0.75"H

HDMI 3 Input Selector

Model No. HDMI-SW-803



- Switch three HDMI/HDTV devices to a single HDMI/DVI display with zero signal loss.
- Maintains 720i, 720p, 1080i and 1080p resolutions.
- HDCP compliant
- HDMI 1.3 compliant
- Includes remote control and IR input
- Includes 9v DC power supply (10watts max)
- Measures 4.85"L x 2.5"W x 0.75"H

HDMI Cable Tester

Model No. HDMI-TS-804



- Design to test 1.2v & 1.3v HDMI cables
- 100% cable architecture confirmation
- (19 connections +9 circuits)
- Pass/Fail LED display
- Can be used for testing DVI cables(with adapter)
- Remote test module for testing installed cables
- Requires two "AA" batteries

800 777-9580 - www.americanrecorder.com
 Voice: 805 527-9580 Fax: 805 527-1433



CAT 5e Cables



COLOR CODE

Grey =	GRY
Blue =	BLU
White =	WHI
Red =	RED
Black =	BLK
Green =	GRN
Yellow =	YEL
Orange =	ORA

***When ordering add color code after model no.**

CAT 5e 350 Mhz with boot

MODEL NO.	COLOR *CODE	DESCRIPTION
C5CB-1003-	----	3 feet
C5CB-1005-	----	5 feet
C5CB-1007-	----	7 feet
C5CB-1010-	----	10 feet
C5CB-1015-	----	15 feet
C5CB-1020-	----	20 feet
C5CB-1025-	----	25 feet
C5CB-1050-	----	50 feet
C5CB-1075-	----	75 feet
C5CB-1100-	----	100 feet

CAT 6 Cables



COLOR CODE

Grey =	GRY
Blue =	BLU
White =	WHI
Red =	RED
Black =	BLK
Green =	GRN
Yellow =	YEL
Orange =	ORA

***When ordering add color code after model no.**

CAT 6 550 Mhz with boot

MODEL NO.	COLOR *CODE	DESCRIPTION
C6CB-1003-	----	3 feet
C6CB-1005-	----	5 feet
C6CB-1007-	----	7 feet
C6CB-1010-	----	10 feet
C6CB-1015-	----	15 feet
C6CB-1020-	----	20 feet
C6CB-1025-	----	25 feet
C6CB-1050-	----	50 feet
C6CB-1075-	----	75 feet
C6CB-1100-	----	100 feet



3.5mm Extension Cable (male to female)



MODEL NO.	DESCRIPTION
POP-8006	6 feet
POP-8012	12 feet
POP-8020	20 feet

3.5mm Extension Cable (male to male)



MODEL NO.	DESCRIPTION
POP-8103	3 feet
POP-8106	6 feet
POP-8112	12 feet
POP-8120	20 feet

3.5mm "Y" Cable



MODEL NO.	DESCRIPTION
POP-8001	1 male to 2 female

3.5mm Extension Cable (male to dual RCA)



MODEL NO.	DESCRIPTION
POP-8203	3 feet
POP-8206	6 feet
POP-8212	12 feet
POP-8220	20 feet

3.5mm (m) to dual 1/4" (m)



MODEL NO.	DESCRIPTION
POP-8403	3.5mm(m) to dual 1/4" (m) 3 feet
POP-8406	3.5mm(m) to dual 1/4" (m) 6 feet
POP-8412	3.5mm(m) to dual 1/4" (m) 12 feet
POP-8420	3.5mm(m) to dual 1/4" (m) 20 feet

Mic Cable-XLR to XLR



MODEL NO.	DESCRIPTION
MIC-1203	3 feet
MIC-1206	6 feet
MIC-1210	10 feet
MIC-1215	15 feet
MIC-1220	20 feet
MIC-1225	25 feet
MIC-1230	30 feet
MIC-1240	40 feet
MIC-1250	50 feet

Mic Cable-XLR to TRS



MODEL NO.	DESCRIPTION
MIC-1303	3 feet
MIC-1306	6 feet
MIC-1310	10 feet
MIC-1315	15 feet
MIC-1320	20 feet
MIC-1325	25 feet
MIC-1330	30 feet
MIC-1340	40 feet
MIC-1350	50 feet

Balanced Cable TRS to TRS



MODEL NO.	DESCRIPTION
MIC-1403	3 feet
MIC-1406	6 feet
MIC-1410	10 feet
MIC-1415	15 feet
MIC-1420	20 feet
MIC-1425	25 feet
MIC-1430	30 feet
MIC-1440	40 feet
MIC-1450	50 feet

Balanced Cable XLR to 3.5



MODEL NO.	DESCRIPTION
MIC-1503	3 feet
MIC-1506	6 feet
MIC-1510	10 feet
MIC-1515	15 feet
MIC-1520	20 feet
MIC-1525	25 feet
MIC-1530	30 feet
MIC-1540	40 feet
MIC-1550	50 feet

Instrument Cable



MODEL NO.	DESCRIPTION
INTS-1101	1 foot
INTS-1102	2 feet
INTS-1103	3 feet
INTS-1106	6 feet
INTS-1110	10 feet
INTS-1115	15 feet
INTS-1120	20 feet
INTS-1125	25 feet
INTS-1130	30 feet

Instrument Cable Right Angle



MODEL NO.	DESCRIPTION
INTR-1101	1 foot
INTR-1102	2 feet
INTR-1103	3 feet
INTR-1106	6 feet
INTR-1110	10 feet
INTR-1115	15 feet
INTR-1120	20 feet
INTR-1125	25 feet
INTR-1130	30 feet

Mic Cable XLR to XLR



MODEL NO.	DESCRIPTION
MIC-2203	3 feet
MIC-2206	6 feet
MIC-2210	10 feet
MIC-2215	15 feet
MIC-2220	20 feet
MIC-2225	25 feet
MIC-2230	30 feet
MIC-2240	40 feet
MIC-2250	50 feet

Made With
ARTIC
WIRE & CABLE
Gold
Connector

Mic Cable XLR to TRS



MODEL NO.	DESCRIPTION
MIC-2303	3 feet
MIC-2306	6 feet
MIC-2310	10 feet
MIC-2315	15 feet
MIC-2320	20 feet
MIC-2325	25 feet
MIC-2330	30 feet
MIC-2340	40 feet
MIC-2350	50 feet

Balanced Cable TRS to TRS



MODEL NO.	DESCRIPTION
MIC-2403	3 feet
MIC-2406	6 feet
MIC-2410	10 feet
MIC-2415	15 feet
MIC-2420	20 feet
MIC-2425	25 feet
MIC-2430	30 feet
MIC-2440	40 feet
MIC-2450	50 feet

Made With
ARTIC
WIRE & CABLE
Gold
Connector

Balanced Cable XLR to 3.5



MODEL NO.	DESCRIPTION
MIC-2503	3 feet
MIC-2506	6 feet
MIC-2510	10 feet
MIC-2515	15 feet
MIC-2520	20 feet
MIC-2525	25 feet
MIC-2530	30 feet
MIC-2540	40 feet
MIC-2550	50 feet

Instrument Cable



MODEL NO.	DESCRIPTION
INTS-2101	1 foot
INTS-2102	2 feet
INTS-2103	3 feet
INTS-2106	6 feet
INTS-2110	10 feet
INTS-2115	15 feet
INTS-2120	20 feet
INTS-2125	25 feet
INTS-2130	30 feet

Made With
ARTIC
WIRE & CABLE
Gold
Connector

Instrument Cable Right Angle



MODEL NO.	DESCRIPTION
INTR-2101	1 foot
INTR-2102	2 feet
INTR-2103	3 feet
INTR-2106	6 feet
INTR-2110	10 feet
INTR-2115	15 feet
INTR-2120	20 feet
INTR-2125	25 feet
INTR-2130	30 feet

Pro Audio Cables

Pro Series Mic & Instrument Cables

New Cat 5 Digital Recording Interface Cables

Legend

TDP=Tascam, Digidesign and Panasonic
MAYS= Mackie, Apogee, Yamaha and Sony

CAT5e

High speed Category 5e cables have proven to be the standard in large scale recording and broadcast networking. These cables offer outstanding performance, exceptional flexibility and affordability over other digital interface cable formats.



DB-25 to DB-25 with category 5e cable TDP to TDP

MODEL NO.	DESCRIPTION
TDP-CAT-1003	3 feet
TDP-CAT-1005	5 feet
TDP-CAT-1010	10 feet
TDP-CAT-1015	15 feet
TDP-CAT-1020	20 feet
TDP-CAT-1025	25 feet
TDP-CAT-1050	50 feet

DB-25 to DB-25 with category 5e cable MAYS to MAYS

MODEL NO.	DESCRIPTION
MAYS-CAT-1003	3 feet
MAYS-CAT-1005	5 feet
MAYS-CAT-1010	10 feet
MAYS-CAT-1015	15 feet
MAYS-CAT-1020	20 feet
MAYS-CAT-1025	25 feet
MAYS-CAT-1050	50 feet

DB-25 to DB-25 with category 5e cable TDP to MAYS

MODEL NO.	DESCRIPTION
TDMA-CAT-1003	3 feet
TDMA-CAT-1005	5 feet
TDMA-CAT-1010	10 feet
TDMA-CAT-1015	15 feet
TDMA-CAT-1020	20 feet
TDMA-CAT-1025	25 feet
TDMA-CAT-1050	50 feet

Traditional Digital Recording Interface Cables

Digital

with 110 ohm AES/EBU cable

DB-25 to XLR (8 channels in & out) for MAYS

MODEL NO.	DESCRIPTION
DB-20-20-1003	3 feet
DB-20-20-1005	5 feet
DB-20-20-1010	10 feet
DB-20-20-1015	15 feet
DB-20-20-1020	20 feet
DB-20-20-1025	25 feet
DB-20-20-1050	30 feet

DB-25 to XLR (8 channels in & out) for TDP

MODEL NO.	DESCRIPTION
DB-20-21-1003	3 feet
DB-20-21-1005	5 feet
DB-20-21-1010	10 feet
DB-20-21-1015	15 feet
DB-20-21-1020	20 feet
DB-20-21-1025	25 feet
DB-20-21-1050	30 feet

DB-25 to XLR (8 channels in & out) for MAYS

MODEL NO.	DESCRIPTION
DB-20-22-1003	3 feet
DB-20-22-1005	5 feet
DB-20-22-1010	10 feet
DB-20-22-1015	15 feet
DB-20-22-1020	20 feet
DB-20-22-1025	25 feet
DB-20-22-1050	30 feet

DB-25 to DB-25 (8 channels in & out) for TDP

MODEL NO.	DESCRIPTION
DB-20-23-1003	3 feet
DB-20-23-1005	5 feet
DB-20-23-1010	10 feet
DB-20-23-1015	15 feet
DB-20-23-1020	20 feet
DB-20-23-1025	25 feet
DB-20-23-1050	30 feet

DB-25 to DB-25 (8 channels in & out) MAYS to TDP

MODEL NO.	DESCRIPTION
DB-20-26-1003	3 feet
DB-20-26-1005	5 feet
DB-20-26-1010	10 feet
DB-20-26-1015	15 feet
DB-20-26-1020	20 feet
DB-20-26-1025	25 feet
DB-20-26-1050	30 feet

Analog

with low impedance audio cable

DB25 to TRS (8 male)

MODEL NO.	DESCRIPTION
DB-20-24-1003	3 feet
DB-20-24-1005	5 feet
DB-20-24-1010	10 feet
DB-20-24-1015	15 feet
DB-20-24-1020	20 feet
DB-20-24-1025	25 feet
DB-20-24-1050	30 feet

DB25 to DB25

MODEL NO.	DESCRIPTION
DB-20-25-1003	3 feet
DB-20-25-1005	5 feet
DB-20-25-1010	10 feet
DB-20-25-1015	15 feet
DB-20-25-1020	20 feet
DB-20-25-1025	25 feet
DB-20-25-1050	30 feet

DB25 to XLR (8 male)

MODEL NO.	DESCRIPTION
DB-20-26-1003	3 feet
DB-20-26-1005	5 feet
DB-20-26-1010	10 feet
DB-20-26-1015	15 feet
DB-20-26-1020	20 feet
DB-20-26-1025	25 feet
DB-20-26-1050	30 feet

DB25 to XLR (8 female)

MODEL NO.	DESCRIPTION
DB-20-27-1003	3 feet
DB-20-27-1005	5 feet
DB-20-27-1010	10 feet
DB-20-27-1015	15 feet
DB-20-27-1020	20 feet
DB-20-27-1025	25 feet
DB-20-27-1050	30 feet

DB25 to XLR (1-4 female, 5-8 male)

MODEL NO.	DESCRIPTION
DB-20-28-1003	3 feet
DB-20-28-1005	5 feet
DB-20-28-1010	10 feet
DB-20-28-1015	15 feet
DB-20-28-1020	20 feet
DB-20-28-1025	25 feet
DB-20-28-1050	30 feet



D Sub Connector



Call us
for
Custom
Snake
Cables



XLR Returns

8 Channel XLR to TRS

MODEL NO.	LENGTH		
		INPUTS	RETURN
SNK-08-XX1010	10ft.	8	0
SNK-08-XX1020	20ft.	8	0
SNK-08-XX1030	30ft.	8	0
SNK-08-XX1040	40ft.	8	0
SNK-08-XX1050	50ft.	8	0
SNK-08-XX1075	75ft.	8	0
SNK-08-XX1100	100ft.	8	0

16 Channel XLR to XLR

MODEL NO.	LENGTH		
		INPUTS	RETURN
SNK-16-XX2010	10ft.	12	4 (xlr)
SNK-16-XX2020	20ft.	12	4 (xlr)
SNK-16-XX2030	30ft.	12	4 (xlr)
SNK-16-XX2040	40ft.	12	4 (xlr)
SNK-16-XX2050	50ft.	12	4 (xlr)
SNK-16-XX2075	75ft.	12	4 (xlr)
SNK-16-XX2100	100ft.	12	4 (xlr)

24 Channel XLR to XLR

MODEL NO.	LENGTH		
		INPUTS	RETURNS
SNK-24-XX2010	10ft.	20	4 (xlr)
SNK-24-XX2020	20ft.	20	4 (xlr)
SNK-24-XX2030	30ft.	20	4 (xlr)
SNK-24-XX2040	40ft.	20	4 (xlr)
SNK-24-XX2050	50ft.	20	4 (xlr)
SNK-24-XX2075	75ft.	20	4 (xlr)
SNK-24-XX2100	100ft.	20	4 (xlr)

32 Channel XLR to XLR

MODEL NO.	LENGTH		
		INPUTS	RETURN
SNK-32-XX2010	10ft.	28	4 (xlr)
SNK-32-XX2020	20ft.	28	4 (xlr)
SNK-32-XX2030	30ft.	28	4 (xlr)
SNK-32-XX2040	40ft.	28	4 (xlr)
SNK-32-XX2050	50ft.	28	4 (xlr)
SNK-32-XX2075	75ft.	28	4 (xlr)
SNK-32-XX2100	100ft.	28	4 (xlr)

Note: Add "SB" after model number for stage box

Call Us
For
Custom
Snakes
Cables



TRS Returns

8 Channel XLR to XLR

MODEL NO.	LENGTH		
		INPUTS	RETURN
SNK-08-XT1010	10ft.	8	0
SNK-08-XT1020	20ft.	8	0
SNK-08-XT1030	30ft.	8	0
SNK-08-XT1040	40ft.	8	0
SNK-08-XT1050	50ft.	8	0
SNK-08-XT1075	75ft.	8	0
SNK-08-XT1100	100ft.	8	0

16 Channel XLR to XLR

MODEL NO.	LENGTH		
		INPUTS	RETURN
SNK-16-XX1010	10ft.	12	4 (trs)
SNK-16-XX1020	20ft.	12	4 (trs)
SNK-16-XX1030	30ft.	12	4 (trs)
SNK-16-XX1040	40ft.	12	4 (trs)
SNK-16-XX1050	50ft.	12	4 (trs)
SNK-16-XX1075	75ft.	12	4 (trs)
SNK-16-XX1100	100ft.	12	4 (trs)

24 Channel XLR to XLR

MODEL NO.	LENGTH		
		INPUTS	RETURN
SNK-24-XX1010	10ft.	20	4 (trs)
SNK-24-XX1020	20ft.	20	4 (trs)
SNK-24-XX1030	30ft.	20	4 (trs)
SNK-24-XX1040	40ft.	20	4 (trs)
SNK-24-XX1050	50ft.	20	4 (trs)
SNK-24-XX1075	75ft.	20	4 (trs)
SNK-24-XX1100	100ft.	20	4 (trs)

32 Channel XLR to XLR

MODEL NO.	LENGTH		
		INPUTS	RETURN
SNK-32-XX1010	10ft.	28	4 (trs)
SNK-32-XX1020	20ft.	28	4 (trs)
SNK-32-XX1030	30ft.	28	4 (trs)
SNK-32-XX1040	40ft.	28	4 (trs)
SNK-32-XX1050	50ft.	28	4 (trs)
SNK-32-XX1075	75ft.	28	4 (trs)
SNK-32-XX1100	100ft.	28	4 (trs)

Note: add "SB" after model number for Stage Box

800 777-9580 - www.americanrecorder.com
Voice: 805 527-9580 Fax: 805 527-1433



TT PATCH STUDIO CONSOLE

State of the art quad design for clean and accurate sound. Available in 8 different colors.



MODEL NO.	DESCRIPTION
TT-101	1 foot
TT-101.5	1.5 feet
TT-102	2 feet
TT-103	3 feet
TT-104	4 feet
TT-105	5 feet
TT-106	6 feet

MIDI RECORDING

For all MIDI applications. Exceptional shielding reduces noise and ensures proper signal transfer.



MODEL NO.	DESCRIPTION
MIDI-203	3 feet
MIDI-206	6 feet
MIDI-210	10 feet
MIDI-215	15 feet
MIDI-220	20 feet
MIDI-230	30 feet

Pro Speaker Cable



ARTIC 16 awg high strand count copper wire with ARTIC 1/4" connectors



MODEL NO.	DESCRIPTION
QS-203	3 feet
QS-206	6 feet
QS-210	10 feet
QS-215	15 feet
QS-220	20 feet
QS-225	25 feet
QS-230	30 feet
QS-240	40 feet
QS-250	50 feet
QS-275	75 feet
QS-2100	100 feet



ARTIC 12 awg high strand count copper wire with SPEAKON or 1/4" connectors



1/4"		SPEAKON	
MODEL NO.	DESCRIPTION	MODEL NO.	DESCRIPTION
QS-803	3 feet	QS-803	3 feet
QS-806	6 feet	QS-806	6 feet
QS-810	10 feet	QS-810	10 feet
QS-815	15 feet	QS-815	15 feet
QS-820	20 feet	QS-820	20 feet
QS-825	25 feet	QS-825	25 feet
QS-830	30 feet	QS-830	30 feet
QS-840	40 feet	QS-840	40 feet
QS-850	50 feet	QS-850	50 feet
QS-875	75 feet	QS-875	75 feet
QS-8100	100 feet	QS-8100	100 feet

TT Patch, MIDI & Pro Speaker Cable

800 777-9580 - www.americanrecorder.com
Voice: 805 527-9580 Fax: 805 527-1433



18

NEMA to NEMA Cord



NEMA(m) TO NEMA (f)
110VAC - 16AWG - UL listed

MODEL NO.	DESCRIPTION
NEMA-2500-012	1 foot
NEMA-2500-072	6 feet
* NEMA-2600-072	6 feet (2 female)

NEMA to IEC Cord



NEMA(m) TO IEC (f)
110V - 18AWG - UL listed

MODEL NO.	DESCRIPTION
IEC-3500-012	1 foot
IEC-3500-018	1.5 feet
IEC-3500-024	2 feet
IEC-3500-036	3 feet
IEC-3500-072	6 feet
IEC-3500-144	12 feet

Heavy Duty Extension Cord



NEMA (m) to NEMA (f) x 3
110V - 12AWG - UL listed

MODEL NO.	DESCRIPTION
NEMA-2700-024	2 feet
NEMA-2700-300	25 feet

6 pos. Power Strip 120V/15A



NEMA (m) to NEMA (f) x 6
UL listed

MODEL NO.	DESCRIPTION
PSP-1001	3 feet
PSP-1002	6 feet
PSP-1003	12 feet

**USB 2.0
(A to B)**



MODEL NO.	DESCRIPTION
USB2-101	1 Meter
USB2-102	2 Meter
USB2-103	3 Meter
USB2-104	4 Meter

**USB 2.0
A-MINI-B (5 Pin)**



For: Sony, Canon,
Nikon & Konica/Minolta

MODEL NO.	DESCRIPTION
USB2-205	5 feet

**USB 2.0
A-MINI-B (4Pin)**



For: Kodak, Panasonic,
Vivitar & Casio

MODEL NO.	DESCRIPTION
USB2-306	6 feet

**EEE1394(FIREWIRE)
4 pin to 4 pin**



MODEL NO.	DESCRIPTION
EEE-103	3 feet
EEE-106	6 feet
EEE-110	10 feet
EEE-115	15 feet

**EEE1394(FIREWIRE)
4 pin to 6 pin**



MODEL NO.	DESCRIPTION
EEE-303	3 feet
EEE-306	6 feet
EEE-310	10 feet
EEE-315	15 feet

**EEE1394(FIREWIRE)
6 pin to 6 pin**



MODEL NO.	DESCRIPTION
EEE-303	3 feet
EEE-306	6 feet
EEE-310	10 feet
EEE-315	15 feet

**EEE1394(FIREWIRE)
9 pin to 4 pin**



MODEL NO.	DESCRIPTION
EEE-403	9 to 4 3 feet
EEE-406	9 to 4 6 feet
EEE-410	9 to 4 10 feet
EEE-415	9 to 4 15 feet

**EEE1394(FIREWIRE)
9 pin to 6 pin**



MODEL NO.	DESCRIPTION
EEE-603	9 to 6 3 feet
EEE-606	9 to 6 6 feet
EEE-610	9 to 6 10 feet
EEE-615	9 to 6 15 feet

**EEE1394(FIREWIRE)
9 pin to 9 pin**



MODEL NO.	DESCRIPTION
EEE-803	9 to 9 3 feet
EEE-806	9 to 9 6 feet
EEE-810	9 to 9 10 feet
EEE-815	9 to 9 15 feet

RCA
Model POP-RCA

COLORS
Red, Green, Blue, Orange, & Black



BNC
Model POP-BNC

COLORS
Red, Green, Blue, Orange, & Black



S VIDEO
Model POP-SVHS

COLORS
Red, Green, Blue, Orange, & Black



XLR Male
Model NE-201



XLR Female
Model NE-202



1/4" Phone (mono)
Model NE-301



1/4" Phone (stereo)
Model NE-303



1/4" Phone (mono) Right Angle
Model NE-302



1/4" Phone (stereo) Right Angle
Model NE-304



ARTIC PRO SERIES CONNECTORS

Our PRO SERIES CONNECTORS set a new standard in style and performance! The unique, machined housings offer superior strength and durability with a distinctive look all its own. Additional features include 360 degree strain relief and gold plated contacts. Designed for wire with 5-6mm OD.

ARTIC RCA Model-AR-M-101

COLORS
Red, White, Yellow,
Green, Blue, Orange,
& Black



ARTIC BNC Model AR-M-201

COLORS
Red, White, Yellow,
Green, Blue, Orange,
& Black



ARTIC S VIDEO Model AR-M-501

COLORS
Red, White, Yellow,
Green, Blue, Orange,
& Black



XLR Male Model AR-X-501



XLR Female Model AR-X-502



1/4" Male (mono) Model AR-T-503



1/4" Male (stereo) Model AR-T-504



1/4" Male (mono) Right Angle Model AR-T-505



Pro Series Connectors





"All boxes, Call for current prices"

Clear Jacket

2 cond. High Strand Count - OFC



MODEL NO.	DESCRIPTION
SPC-16	16 awg (per ft.)
SPC-14	14 awg (per ft.)
SPC-12	12 awg (per ft.)

Round Jacket

2 cond. High Strand Count - OFC



MODEL NO.	DESCRIPTION
SPR-16	16 awg (per ft.)
SPR-14	14 awg (per ft.)
SPR-12	12 awg (per ft.)

CL3 In-Wall

High Strand Count-White Jacket



MODEL NO.	DESCRIPTION
IW-162	16 awg (per ft.)
IW-164	16 awg (per ft.)
IW-142	14 awg (per ft.)
IW-144	14 awg (per ft.)

Coaxial Cable



MODEL NO.	DESCRIPTION
RG-59	(per ft.)
RG-6	(per ft.)
RG-60	Quad (per ft.)

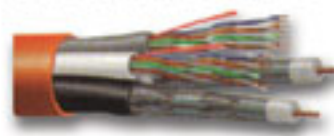
Category 5e & 6



MODEL NO.	DESCRIPTION
CAT5e	350 Mhz
CAT6	550 Mhz

Bundled Cable

2 RG6 Quad + 2 CAT 5e



MODEL NO.	DESCRIPTION
STR-1	(per ft.)

Bundled Cable

2 RG6 Quad + 2 CAT 5e + 2 Fiber



MODEL NO.	DESCRIPTION
STR-2	(per ft.)

Mini Coaxial

3 conductor



MODEL NO.	DESCRIPTION
RG-1743	(per ft.)

Mini Coaxial

5 conductor



MODEL NO.	DESCRIPTION
RG-1746	(per ft.)



"Call for current bulk wire pricing"

ALL WIRE IS PRICED PER FOOT - PACKED IN 500 ft. OR 1000ft. PULL BOXES or REELS. LIMITED TO SUPPLY ON WAREHOUSE FLOOR. VOLUME DISCOUNTS - CALL FOR DETAILS

"See our full assortment of compression fittings on page 29"

Residential Adapter Kit

Model No. KIT-205

Don't get stuck without the right parts!

Delays are costly and they put added stress on work schedules. Eliminate those hassles with our residential adapter kit. This kit contains two dozen of the most popular adapters residential installers use...all neatly divided and labeled in its own rugged storage box. Measures: 14" x 8.5" x 1.9" Includes identification chart for easy reordering.



Contains 24 popular adapters and connectors

- | | | |
|-------------------------------------|---|---------------------------------------|
| 5 ea. BNC Male to RCA Female | 5 ea. BNC Female to RCA Male | 5 ea. BNC Male to F Female |
| 5 ea. BNC Male to BNC Male | 5 ea. BNC Male to RCA Male | 5 ea. BNC Female to RCA Female |
| 5 ea. BNC Female to F Female | 5 ea. BNC Male to BNC Female Right Angle | 5 ea. Single RCA Female to RCA Female |
| 5 ea. Dual RCA Female to RCA Female | 5 ea. Single Right Angle RCA 1 Female to 2 Female | 5 ea. Dual RCA 1 Male to 2 Female |
| 5 ea. F Female to RCA Male | 5 ea. F Male to RCA Male | 5 ea. F Female to RCA Female |
| 5 ea. F Female to F Female | 6 ea. Pin Connector-Black | 6 ea. Pin Connector-Red |
| 5 BNC Female to RCA Female | 3 ea. S Video Male to S Video Male | 2 ea. HD15 Male to HD15 Male |
| 1 ea. 3.5mm to 2 RCA Mono | 12 ea. Single Banana - Black | 12 ea. Single Banana - Red |

HDMI/DVI Adapter Kit

Model No. KIT-207



Find all the hard to find HDMI/DVI adapters in one convenient kit. Contains all the popular gender conversions and various right angle. Each adapter fits neatly into separate divided compartment in 10-3/4" x 6-7/8" x 1-3/4" plastic storage case. Includes identification chart for easy re-ordering.

Part No.	Contents Description	Quantity
HDMI-GA	HDMI(f) to HDMI(f)	2
HDFM-A	HDMI(f) to DVI-D(m)	2
HDFD-C	HDMI(m) to DVI-D(f)	2
HMDF-S	HDMI(m) to DVI-D(f)	2
HDMI-RA-360	HDMI(m) to HDMI(f) right angle + 360 rotation	2
DVI-DFF-RA	DVI-D(f) to DVI-D right angle 1	1
DVI-DMF-ADP	DVI-D(f) to DVI-D(m) right angle	1
DVI-D-F/F-A	DVI-D(f) to DVI-D(f) adapter	1
DVI-IVGA-M	DVI-(f) to VGA(m)	1
DVI-VGA-F	DVI(m) to VGA(f)	1

800 777-9580 - www.americanrecorder.com
Voice: 805 527-9580 Fax: 805 527-1433



"Standard finish is nickle, gold finish model designated with a G"

BNC Male to BNC Male



MODEL NO.
B-038
B-038G

BNC Female to BNC Female



MODEL NO.
B-039
B-039G

BNC Male to BNC Female(RA)



MODEL NO.
B-032
B-032G

BNC Female to F Female



MODEL NO.
B-043
B-043G

BNC Male to RCA Male



MODEL NO.
B-052
B-052G

BNC Female to RCA Female



MODEL NO.
B-064
B-064G

BNC Male to BNC Female"tee"



MODEL NO.
B-034
B-034G

BNC Male to F Female



MODEL NO.
B-042
B-042G

BNC Male to RCA Female



MODEL NO.
B-063
B-063G

F Male to RCA Female



MODEL NO.
F-000
F-000G

F Female to F Female



MODEL NO.
F-018
F-018G

F Male to F Male



MODEL NO.
F-019
F-019G

F Female to RCA Female



MODEL NO.
F-023
F-023G

RCA Male to BNC Female



MODEL NO.
R-001
R-001G

RCA Male to F Male



MODEL NO.
R-004
R-004G

RCA Male to F Female



MODEL NO.
R-005
R-005G

RCA Female to F Female



MODEL NO.
R-006
R-006G

RCA Female to RCA Female



MODEL NO.
MJ-103
MJ-103G

Dual RCA Female to RCA Female



MODEL NO.
MJ-104
MJ-104G

2 RCA Female to 3.5mm Male



MODEL NO.
EA-461
EA-461G

RCA Male to RCA Female(RA)



MODEL NO.
MR-63
MR-63G

RCA Male to 2 RCA Female(RA)



MODEL NO.
MR-66
MR-66G

1/4" Female to 1/4" Female (mono)



MODEL NO.
EA-391
EA-391G

1/4" Female to 1/4" Female (stereo)



MODEL NO.
EA-392
EA-392G

1/4" Male to RCA Female



MODEL NO.
EA-399
EA-399G

1/4" Female to RCA Male



MODEL NO.
EA-363
EA-363G

1/4" Male to 3.5mm Female (stereo)



MODEL NO.
EA-366
EA-366G

1/4" Male to 2 RCA Female



MODEL NO.
EA-448
EA-448G

1/4" Male to (2) 1/4" Female (mono)



MODEL NO.
EA-374
EA-374G

1/4" Male to (2) 1/4" Female (stereo)



MODEL NO.
EA-369
EA-369G

"Standard finish is nickle, gold finish model designated with a G"

VGA(HD-15pin)
Male to Male



MODEL NO.
VGA16-GAM

VGA(HD 15pin)
Female to Female



MODEL NO.
VGA16-GAF

RJ45 Female
to Female



MODEL NO.
RJ45-FF

RJ45 Female
to Male DB9



MODEL NO.
RJ45-DB9-M

RJ45 Female
to Female DB9



MODEL NO.
RJ45-DB9-F

S Video
Female to Female



MODEL NO.
MD-031M-F
MD-031M-G

S Video
Male to male



MODEL NO.
MD-032M-N
MD-032M-G

S Video Male
to RCA Female



MODEL NO.
MD-033M-N
MD-033M-G

S Video Male
to RCA female



MODEL NO.
MD-034M-N
MD-034M-G

S Video Male to
(2)RCA Female



MODEL NO.
MD-035M-N
MD-035M-G

XLR Male to
1/4" Male(mono)



MODEL NO.
MPA-636

XLR Female to
1/4" Male(mono)



MODEL NO.
MPA-636

XLR Male to
1/4" Male(stereo)



MODEL NO.
MPA-636ST

XLR Female to
1/4" Male(stereo)



MODEL NO.
MPA-636ST

XLR Female to
XLR Female



MODEL NO.
MPA-633

XLR Male to
XLR Male



MODEL NO.
MPA-632

XLR Male to
RCA male



MODEL NO.
MPA-639

XLR Female to
RCA Male



MODEL NO.
MPA-640

XLR Male to
RCA Female



MODEL NO.
MPA-641

XLR Female to
RCA Female



MODEL NO.
MPA-642

XLR Male to 1/4"
Female(mono)



MODEL NO.
MPA-637

XLR Female to
1/4" Male(mono)



MODEL NO.
MPA-639

XLR Male to 1/4"
Female (stereo)



MODEL NO.
MPA-637ST

XLR Female to 1/4"
Female (stereo)



MODEL NO.
MPA-639ST

Dual Banana



MODEL NO.
DBA-1

Single Banana



MODEL NO.
SBA-1

Pin



MODEL NO.
PIN-1

RCA Y



MODEL NO.	DESC.
POP-901	1M to 2F
POP-902	1M to 1M/2F
POP-903	1M to 2M
POP-904	1F to 2M
POP-905	1F to 1F/1M
POP-906	1F to 2F

VGA to RCA



MODEL NO.
POP-912

S Video to RCA



MODEL NO.
POP-910

Adapters

Adapters

Stainless Steel Wall Plates

Wall Plates

Wall Plates



XLR Male 1
Model WP-SS-201



XLR Male 2
Model WP-SS-202



XLR Female 1
Model WP-SS-203



XLR Female 2
Model WP-SS-204



TRS Female 1
Model WP-SS-205



TRS Female 2
Model WP-SS-206



XLR Male 4
Model WP-SS-207



XLR Female 4
Model WP-SS-208



TRS Female 4
Model WP-SS-209



XLR Male 2/Female 2
Model WP-SS-210



XLR Male 2/TRS Female 2
Model WP-SS-211



XLR Female 2/TRS Female 2
Model WP-SS-212



Blank Double
Model WP-SS-213



Blank Single
Model WP-SS-214



DVI
Model WP-SS-215



HDMI/DVI
Model WP-SS-216



HDMI
Model WP-SS-217



RCA/VGA
Model WP-SS-218



VGA -2
Model WP-SS-219



DB25 -2
Model WP-SS-220



**Single Plate
single position:**
Model WP-SS-221



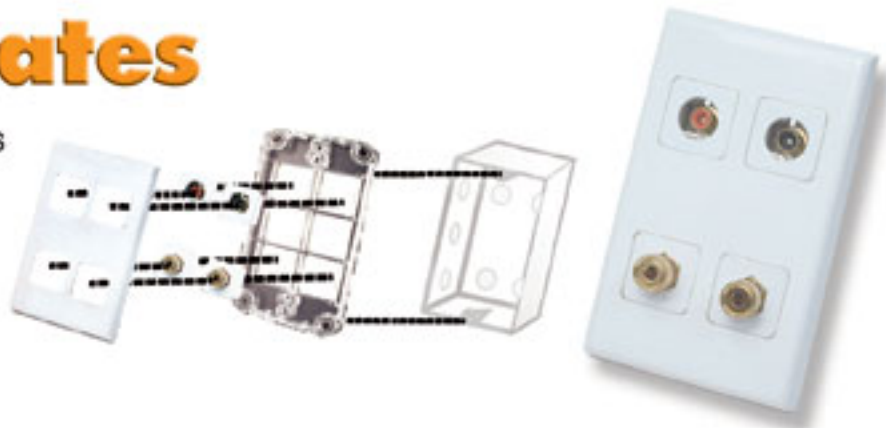
**Single Plate
dual position:**
Model WP-SS-222



**Dual Plate
4 position**
Model WP-SS-223

Wall Plates

Our unique designer wall-plates offer superior strength over conventional plates with no visible screws! Simple snap-in-place inserts allow for quick installation. With a generous selection of plates and inserts, virtually any configuration can be achieved!



Single Media Plate



Model WP-MP1

Dual Media Plate



Model WP-MP2

HDMI+Comp Video Plate



Model WP-HDMI-31

HDMI Repeater +Comp Video Plate



Model WP-HDMI-32

HDMI Repeater Plate



Model WP-HDMI-33

Single Plate



Model WP-21

Double Plate



Model WP-22

Triple Plate



Model WP-23

Quad Plate



Model WP-24

Sixfold Plate



Model WP-25

RCA to F insert (gold)



Model I-4043G

RCA to RCA insert (gold)



Model I-3027-G

BNC to F insert (gold)



Model I-3026-G

F to F insert (gold)



Model I-4011G

Banana insert (pair gold)



Model I-236G

RCA (solder type) insert (gold)



Model I-235G

RJ45 insert



Model I-RJ45

Blank insert (pair)



Model I-BLANK

RED=R WHITE=W YELLOW=Y GREEN=G BLUE=B

ADD COLOR CODE AFTER MODEL NO.

Wall Plates

Wall Plates

Compression Tool kit



Kit Contents:
 One crimp tool for F, RCA & BNC
 Coaxial cable cutter
 Coaxial stripper
 F wrench
 25 ea. F fittings for RG59, RG6, & RG6 quad
 10 ea. RCA fittings for RG59, RG6, RG6 quad.
 10 ea. BNC fittings for RG59, RG6, RG6 quad.
 Plastic storage case.
 5 ea. Red, Green, Blue, Yellow, White & Black identification sleeves



360° Coverage on center pin for superior connection & reliability.

CABLE SIZE CHART

■ RG59
■ RG6
■ RG6 QUAD



Model No. KIT-105

Coaxial Compression Fittings



F NICKEL
 MODEL
 PSF59-N
 PSF6-N
 PSF6Q-N



RCA NICKEL
 MODEL
 PSR59-N
 PSR6-N
 PSR6Q-N



BNC NICKEL
 MODEL
 PSB59-N
 PSB6-N
 PSB6Q-N



F GOLD
 MODEL
 PSF59-G
 PSF6-G
 PSF6Q-G



RCA GOLD
 MODEL
 PSR59-G
 PSR6-G
 PSR6Q-G



BNC GOLD
 MODEL
 PSB59-G
 PSB6-G
 PSB6Q-G

NEW MINI COAXIAL GOLD COMPRESSION FITTINGS

Unique precision-machined brass body delivers exceptional strength, exact sizing and incredible style!
 Made to fit ARTIC COAXIAL CABLE Model RG-174 (color ID rings included)



BNC Gold
 Model No.
 PSB-M59



RCA Gold
 Model No.
 PSR-M59



ID Sleeve (bag of 25)

Easy to install rubber identification bands for all coaxial connectors

MODEL NO.	DESCRIPTION
FS-101	Red Bag of 25
FS-102	Blue Bag of 25
FS-103	Green Bag of 25
FS-104	Yellow Bag of 25
FS-105	White Bag of 25
FS-106	Black Bag of 25



Coaxial Compression Tool
 Model No. TL-1019



RJ45 Crimper

Model No. TL-1006



High quality crimper utilizes unique single-cycle straight action cut and crimp, delivering superior and consistent contact connection. Made from high strength steel with rust resistant black oxide coating. Built-in wire cutters and strippers.

RJ45 Connector



This new and patented connector simplifies twisted pair termination by allowing wires to be inserted through the connector and out the front. This allows the technician to easily verify the proper wiring order. FCC compliant with 50 micro inch gold plated connectors. CAT6, UL Rated.

MODEL NO.	DESCRIPTION
FS45	Cat 5e RJ 45 Connector
FS46	Cat 6 Connector
FS46B	Cat 6 Boot

Complete Communication Kit

Model No. TL-2001



Includes: Punch down, RJ45 Crimper, Coax Cutter, Coax Stripper, CAT5 Jacket Cutter, 4 way Screw driver, 20 FS 45 Connectors, Zipper Carry Case. Simulated Leather Finish.

Delux Fiberfish Kit

Model No. CON-100



FEATURES:

- 4 ea. 6' rods non-conductive fiber rods.
- 1 ea. 6' auger bit.
- 1 ea. 6' high speed bit.
- 1 ea. 20' telepole
- 1 ea. fishhook
- 1 ea. pull ring
- 1 ea. directional tool.
- 1 ea. ball chain
- 1 ea. magnet head.
- 1 ea. carrying case.

Rod Sets

Model No. FIB-207
6" Rod Set (5 each)



Model No. FIB-208
3' Rod Set (6 each)



Flashlight

Flashlight converts to headlight. Reflector tilts 180 degrees for accurate targeting. Large easy to use twist on-off switch. Bright white LED lamp. Extra comfortable head band. 3 AAA batteries (included)



Model No. FLSH-125

6'-1/2" Auger Flex Bit



Model No. SDL-12

6' 3/8" High Speed Flex Bit



Model No. FLX-3872



Communication Tools

CUSTOM PRO
audio/video tools

800 777-9580 - www.americanrecorder.com
Voice: 805 527-9580 Fax: 805 527-1433



30

Tools

Communication Tools

CUSTOM PRO
audio/video tools

Fishtape



MODEL NO.	LENGTH
ELB-710	50 ft.
ELB-711	100 ft.

PVC Cutter



MODEL NO.
ELB-410

Cable Slicing Knife



MODEL NO.
ELB-701

**Drill Bit Set
(18 piece)**



MODEL NO.
TL-1020

6" Digital Caliper



MODEL NO.
ELB-725

9" Torpedo Level



MODEL NO.
ELB-714

**Coax Stripper
RG59, 6 & Quad**



MODEL NO.
TL-1017

Cat 5 Jacket Stripper



MODEL NO.
TL-1016

Self Adjusting Jacket Stripper



MODEL NO.
TL-1014

Round Jacket Slitter



MODEL NO.
TL-1015

Coax Cable Cutter



MODEL NO.
TL-1011

10-20 awg Wire Strippers



MODEL NO.
TL-1041

Non Impact 110



MODEL NO.
TL-1009

Impact 66 & 110



MODEL NO.
TL-1013

**BNC Removal
6"-16" Long**



MODEL NO.	SIZE
TL-1012-6	6"
TL-1012-8	8"
TL-1012-12	12"
TL-1012-16	16"

**F Removal
6"-16" Long**



MODEL NO.	SIZE
TL-1018-6	6"
TL-1018-8	8"
TL-1018-12	12"
TL-1018-16	16"

Multi-Drives

These 1/4" drives have 16 bits stored in the handle. Extra-long (3") double ended bits are made of hardened S2 steel and universally sized. Patented end-cap allows individual bit removal, yet won't turn during use. Industrial quality drivers carry a lifetime warranty.

Classic



Standard driver for everyday use. Hex: 3/32", 1/8", 5/32", 3/16"
Torqs: 15, 20, 25, 30; Phillips: 0, 1, 2, 3
Sot: 1/4", 3/16"; Square: 2, 3

MODEL NO.
SAB233

Security



Same as Classic with security bits:
Spanner: 4, 6, 8, 10; Torq: 10, 15, 20, 25
Hex: 1/8", 9/64", 5/32", 3/16"
Roberts: 1, 2; Phillips: 2-Slot: 7/32"

MODEL NO.
SAB444

Ratchet



Heavy-duty reversible ratchet mechanism on an adjustable nosepiece that allows angle adjustments. Bits same as Classic plus SAE or Metric sockets.
SAE: 3/16", 5/16", 11/32", 3/8", 7/16", 1/2"
Metric: 7, 8, 10, 11, 12, 13mm.

MODEL NO.
SAB515
SAB515M(metric)

Quad



4 to 1 ratio nosepiece turns fastener four times with each turn of the handle for driving action that's four times faster. Change ratchet action quickly with one hand, even in use. Bits: Same as Classic

MODEL NO.
SAB710

Adjustable Wrench



Unique design features a joint mechanism engineered for smooth action and no jaw wobble through years of use. Laser etched gauge measures inches. Streamlined handle with oversized grip improves tool's balance and decreases hand fatigue. Jaw opens 18% wider for larger fasteners and has a unique ridge design to catch different size fasteners without stripping edges. Constructed of heavy-gauge, industrial quality steel. Limited lifetime warranty.

MODEL NO.	SIZE
RC2104	4"
RC2106	6"
RC2108	8"
RC2110	10"
RC2112	12"

Adjustable Plier



The bolt-less, rivt-less jaw mechanism can't slip or torque out and won't loosen after years of use. The grip is redesigned to provide extra space between handles to protect fingers from injury, even at full jaw extension. Forged of heavy-gauge industrial quality vanadium steel for the greatest possible strength. Limited lifetime warranty.

MODEL NO.	SIZE
RC1226	4"
RC1306	6"
RC1406	10"

Wire Pliers

Professional quality with precision-honed cutting edge. Features include skinning hole for stripping as well as a crimper between the handles. Made with an induction hardened cutting edge with hot-riveted joints from drop forged chrome vanadium alloy.

Long Nose Plier Telecom

INCLUDES NYLON HOLSTER



MODEL NO.
ELB101

Diagonal cutters Telecom

INCLUDES NYLON HOLSTER



MODEL NO.
ELB201

3-in-1 Pliers

INCLUDES NYLON HOLSTER



MODEL NO.
RC4300

Linesman Pliers



MODEL NO.	SIZE
ELB302	9.5"
ELB312	8.5"

Crimping Pliers



MODEL NO.	SIZE
ELB301	10"

Diagonal Cutters



MODEL NO.	SIZE
ELB306	8"
ELB304	7"

Long Nose Pliers



MODEL NO.	SIZE	TIP
ELB320	11"	30°
ELB321	11"	45°
ELB322	11"	90°
ELB323	11"	20°



Safety Cutters



MODEL NO.	SIZE
ELB340	5"

2 in 1 Cutter Strippers



MODEL NO.	SIZE
ELB360	6"

800 777-9580 - www.americanrecorder.com
Voice: 805 527-9580 Fax: 805 527-1433



32

Drives, Wrenches, Pliers

CUSTOM PRO
audio/video tools

Tools

Cutting Tools

Throw those cheap, unsafe and unreliable knives away. These knives feature a high tech release knob for quick open and blade exchange. Spring loaded, positive secure lock with integrated hinge, means no parts to lose. Ergonomic safety handle features a thermal rubber grip.

Retractable Knife

Model No. QBR-18
(includes 1 utility blade)



Fixed Blade Knife

Model No. QBF-19



(includes 1 ea. utility, wood & metal blade)

Replacement Blades

3 blades to a pack.



Delux Cutting Kit

Model No. QBK-266

All purpose cutting kit for any application. Includes (1) fix blade knife (1) circ. fabric/wall cover cutter (1) glass/tile cutter (1) metal blade (1) wood blade (5) utility blades & (5) hook blades, all in a plastic storage box.



Lighted Inspection Mirror

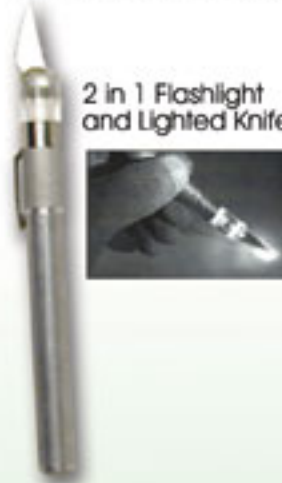
Model No. TL-1001



3 in 1 flashlight is also a lighted 12" magnetic pick up tool and lighted inspection mirror.

Lighted Knife

Model No. TL-1002



2 in 1 Flashlight and Lighted Knife

MODEL NO.	DESCRIPTION
QCB-266	Drywall (3 ea.)
QCB-252	Metal (3 ea.)
QCB-253	Wood (3 ea.)
UB-025	Utility (100 ea.)

Problem Solvers

4 Piece Pick Set

Model No. TL-1003

4 way pick set with machined aluminum handle and four tempered steel picks.



Flex Magnet

Model No. TL-1004

Flexible shaft holds for difficult angles.



Flex Mirror

Model No. TL-1005

Flexible shaft holds for difficult angles.



Measuring Tape

Model No. CQT-10



Tools

Cutting Tools & Problem Solvers

CUSTOM PRO audio/video tools

33

AMERICAN RECORDER

800 777-9580 - www.americanrecorder.com
Voice: 805 527-9580 Fax: 805 527-1433



SPL Meter

Model No. SPL-8810

Accurate and easy to use for all types of sound level measurement including recording, performance, surround sound, industrial & environmental.

- Large LCD Display
- Two Mode Settings
- Data Hold & Max Hold
- Built-in Calibration Check
- A & C Weighting
- 9 Volt Battery Included
- Conforms to IEC 651 Type II
- One Year Warranty

Compact InfraRed Thermometer

Model No. TL-1042



User selectable C or F
Laser Targeting
Automatic Data Hold
Auto Power Off
White backlit LCD display
Overrange indication
Max, Min record
Range: -58F degrees to 716F degrees.
Response time:-1 sec.

Satellite Finder

Model No. DSS-101



Quickly and accurately position digital satellite dish.

Receptacle Tester

Model No. TL-1027



Simply plug it in and watch red & amber indicators.

Detects faulty wiring in 3 wire receptacles

Soldering Iron

Model No. TL-1037

40 watt soldering iron with pencil tip and stand UL listed



Compass

Model No. DSS-102



Aluminum military compass with liquid center jewel bearing



Lead Free Solder

Model No. TL-1038

Electronic grade lead free solder. 3.8 ft with storage case.

Battery Tester

Model No. TL-1039



LCD Display
Universal digital battery tester with selectable load settings for maximum accuracy.



Tools

Test Equipment

CUSTOM PRO audio/video tools



Test Equipment

CUSTOM PRO audio/video tools

3 in 1 Lan Tester, Coax Tester & Digital Multimeter

Model No. TL-1028



This new unit tests correct pin configuration of 10 Base cable (coax), RJ45/RJ11 moduler cables, 356A, TIA-568A/568B and Token Ring cable by comparing one transmitting end to the corresponding receiving end. With the remote kit, test installed cables on the wall plate or patch panel up to 300 meters. Easy to verify cable continuity, open, short and cross-connect. Built in full feature digital multimeter.

Specifications		
FUNCTION	MAX RANGE	BASIC ACCURACY
Voltage DC	600v	±0.5%
Voltage AC	600v	±1.2%
Current DC	200mA	±1.5%
Current AC	200mA	±1.5%
Resistance	20MΩ	±0.5
Continuity Test	Beep if less than 100Ω	

3 in 1 Tester

Model No. TL-1029



- Non-Contact Voltage Detector
- Flashlight
- Digital Multimeter auto ranging auto power off DCV,ACV DCA, ACA OHM, Diode Check Continuity test

Specifications		
FUNCTION	MAX RANGE	BASIC ACCURACY
Voltage DC	600v	±0.5%
Voltage AC	600v	±1.2%
Current DC	200mA	±1.5%
Current AC	200mA	±1.5%
Resistance	20MΩ	±0.5
DCV	VAC 150-600v	
Continuity Test & Diode Check		

3 in 1 Stud/Metal/AC Voltage finder

Model No. TL-1030



(with built-in laser line level)

- Laser leveling, layout and stud locating on vertical and horizontal surfaces.
- Wood, metal & live wire detection. Detects wood up to 3/4" depth.
- 20' laser line projection onto work surfaces with 90 degree squaring.
- LCD sensing and mode display with target graphics.
- LED display with continuous live wire detection.
- Thumb dial adjustable feet for leveling the laser.
- Easy keypad operation.
- Ergonomically designed for comfort and grip.
- Requires 9 volt battery.

AC Voltage Detector

(Non-Contact)

Model No. TL-1031



- Non-contact detection of AV voltage from 100VAC to 600VAC 50/60Hz.
- Rugged, double molded case.
- Suitable for outlets or wire insulation testing.
- Built-in bright LED flashlight.

Digital Multimeter

Model No. TL-1036



Pocket size with built-in carrying case. DC, AC resistance continuity and diode test.

Parts Bin

Model No.
ORG-480B

Stacking/Rackmount
Plastic Parts Bin
11.5" x 5" x 6"



Storage Box

Model No. ORG-748-2



Plastic Storage Box
with dividers 15" x 5" x 11"

Tool Box

Model No.
ORG-7405-2

Durable plastic
tool box with
covered pull-out
drawers and
built-in LED light.
Find the right tool
or part quickly.



Parts Drawer Rack

Model No. ORG-8500JT



Rack mounting kit
available for drawers
Model No. ORG-8500RM



Organize those small
parts with this plastic
5 drawer rack.

Rack comes in
right or left swinging
configurations.
Powder-coated
steel construction.
will hold over 300 lbs.
Minimize bending
and reaching to
reduce injuries and
save time.
Dimensions:
50" H x 45" L x 7" W



Drawer rack & Bins sold separately



Swing-out Mobile Rack

MODEL NO.	DESCRIPTION
ORG-179048	Right Hand Swing
ORG-179059	Left Hand Swing

organization

Organization

CUSTOM PRO
audio/video tools

800 777-9580 - www.americanrecorder.com
Voice: 805 527-9580 Fax: 805 527-1433

AMERICAN
RECORDER
TECHNOLOGIES

36



32" Utility Rack
Model No. RM-9101

- Heavy duty steel design
- Rigid side supports
- Includes casters
- 32" height
- AES spacing with 10/32 thread
- Perfect for home, small studios & network applications

Parts & Accessories not included

Rack Mount Screws
Pan Head
10/32 x 3/4"



30 Pack - Model No. CC-RMS-030
 100 Pack - Model No. CC-RMS-100

2 Space Rack Drawer

Model No. RM-9202

Heavy duty steel design
 Smooth glide sliders
 14" depth, 3" interior height
 Lock & Key, Black finish
 1.5" dia. rear panel knock out

3 Space Rack Drawer

Model No. RM-9203

Heavy duty steel design
 Smooth glide sliders
 14" depth, 4.75" interior height
 Lock & Key, Black finish
 1.5" dia. rear panel knock out

4 Space Rack Drawer

Model No. RM-9204

Heavy duty steel design
 Smooth glide sliders
 14" depth, 6.5" interior height
 Lock & Key, Black finish
 1.5" Dia. rear panel knock out



1 Space Rack Shelf (10" depth)

Model No. RM-110B



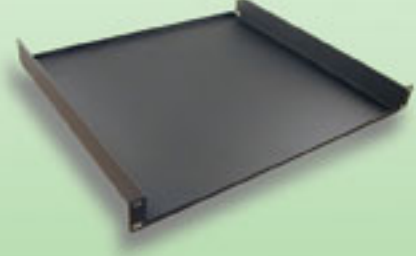
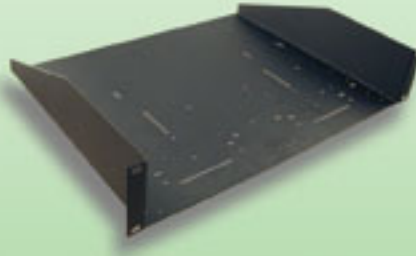
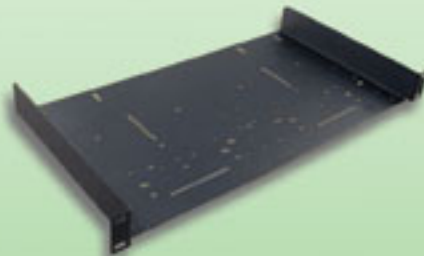
2 Space Rack Shelf (15" depth)

Model No. RM-210B



1 Space Rack Shelf (16" depth)

Model No. RM-4PB



1 Space Blank Rack Panel

Model No. RM-8701U



2 Space Blank Rack Panel

Model No. RM-8702U



3 Space Blank Rack Panel

Model No. RM-8703U



4 Space Blank Rack Panel

Model No. RM-8704U



1 Space 1/4"-16 Position Rack Panel

Model No. RM-8713U



1 Space 1/4" - 8 Position Rack Panel

Model No. RM-8714U



1 Space Vent Panel

Model No. RM-8721U



2 Space Vent Panel

Model No. RM-8722U



1 Space XLR - 8 Position Rack Panel

Model No. RM-8732U



1 Space D Type 4 Position Rack Panel

Model No. RM-8730U



2 Space D Type 24 Position Rack Panel

Model No. RM-8755U





Sound alignment systems are designed to enable the professional installer to reference, align and accurately position speakers and video components to achieve the full sonic and viewing performance potential that manufacturers design for their products. The system consists of a family of laser alignment tools, accessories, procedures, documentation and certification in support of obtaining the highest level of performance.

The **LG-120** is CNC machined from billet aluminum and is anodized and laser engraved to aircraft standards. Dial in industry standard angles of dispersion (120°, 90°, 60°, 45°, 30° and 15°) to visualize coverage patterns.



LG-120 Laser Line Generator
Model No. SAS-1370

The **C-700** is the Sound Alignment Systems' answer for a compact, ready-to-use aligned laser level. Accurate to 1/4" @ 100ft. on all planes of reference, the C-700 is designed for "spot-on" professional audio/video installation. A stand alone concept for quick time-saving use.



C-700 Alignment Tool with Snap-on Bubble Vial
Model No. SAS-1325

Accessories sold separately



The **P-770** is the core component utilized in SA-S work. With the same quality construction and accuracy, the P-770 accepts the full line of Sound Alignment accessories. Reliable and repeatable installations are now possible with this precise laser alignment tool and system.



P-770 Pro Laser Alignment Tool
Model No. SAS-1335

Accurately readout angles in degree or percentages with large LCD panel. Specially designed base can attach to P770 for combine inclinometer and laser alignment device. Back lighted & machined from anodized billet aluminum.



SAS-1372 Digital Inclinometer
Model No. SAS-1372

Alignment Kits



Basic Home Theater Kit Model No. SAS-1500

Perfectly align speakers for maximum imaging, sonic performance and sound level calibration. Features C700 Laser Alignment Tool, SPL-8810 Sound Level Meter, carrying case and instruction manual. Great for beginners, enthusiasts and seasoned professionals.



Includes
P770 Laser
Alignment Tool
R2D2 Rotary Base
Lens Kit
SPL Meter

Home Theater Installer "Pro-Tech" Kit 1.05, Model No. SAS-1306 Model No. SAS-1306-SPL includes SPL meter

Designed for residential installers, this kit contains all the necessary tools for the proper alignment and placement of speakers, projectors and screens. Includes a P-770 laser tool, complete lens kit, R2D2 Rotary Base, SPL-8810 Sound Level Meter and storage case.



+LG120 Line Generator

Delux Home Theater Kit "Pro-Tech Kit" Model No. SAS-1307

An absolute must for any professional residential installer. Includes P770 Laser Alignment Tool, R2D2 Rotary Base and Laser Lens kit for precise placement and alignment of speakers, screens and projectors. A LG-120 Line Generator for visual confirmation of sound dispersion patterns and viewing angles, a SPL-8810 Sound Level meter for sound level calibration, rugged carrying case and instruction manual.



+ Digital
Inclinometer
Rotary Base Plate
Laser Alignment
Glasses

Commercial Sound Installer "Pro-Tech" Kit 2.05, Model No. SAS-1308

The Professional Technician's all-in-one tool. The Kit contains the P-770, LG-120 and the DLT 1372. Plus all of the SA-S accessories laid out in a rugged carrying case.

The **R2-D2** Rotary Base allows layout orientation via angular alignment from a level plane of reference. It has fully adjustable legs, a bulls-eye vial, 360° of protracted radiation and is tripod mountable. The R2-D2 is CNC machined from billet aluminum.



R2-D2 Rotary Base mounted to a RBP, (Rotary Base Plate)

Laser Alignment Tools

800 777-9580 - www.americanrecorder.com
Voice: 805 527-9580 Fax: 805 527-1433



40

Accessories



Laser Alignment

**R2-D2 Tripod
Rotary Base**
Model No. SAS375



Lens Kit
Model No. SAS1303



**Rotary Base
Plate**
Model No. SAS383



**Two Way
Lens**
Model No. SAS380



Line Lens
Model No. SAS361



**Lens Adapter
Base**
Model No. SAS362



**Protractor
Plate**
Model No. SAS358



**Magnetic
Alignment
Switch**
Model No. SAS364



P Switch
Model No. SAS366



**Standard
Alignment
Switch**
Model No. SAS365



Baseplate
Model No. SAS368



Stackers
Model No. SAS367



Belt Holder
Model No. SAS393
tools not included



**Tripod
Adapter**
Model No. SAS363



**Laser
Enhancement
Glasses**
Model No. SAS-401



Laser Alignment Accessories

SAS Application Guide Model No. SA5501

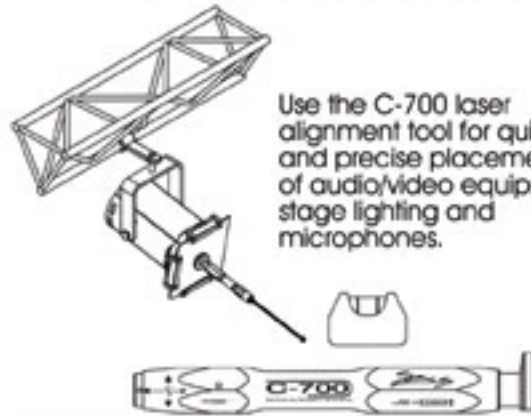
Position Speaker Axis

The C-700 is a compact stand-alone, easy to use laser alignment tool designed for accurate and professional audio/video installations.

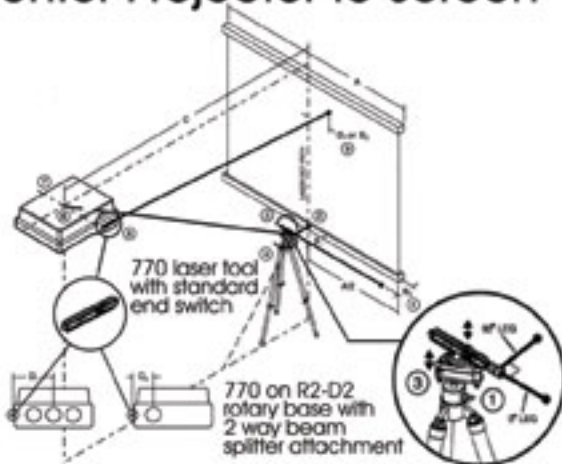


Position Lights, Hang Microphones & aim CCTV Cameras

Use the C-700 laser alignment tool for quick and precise placement of audio/video equipment, stage lighting and microphones.

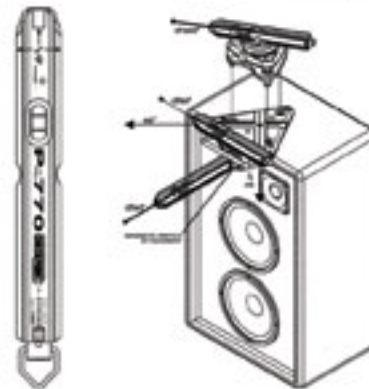


Center Projector to Screen

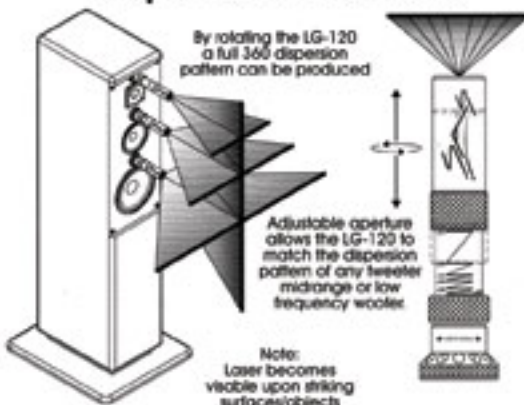


Calculate Speaker Position

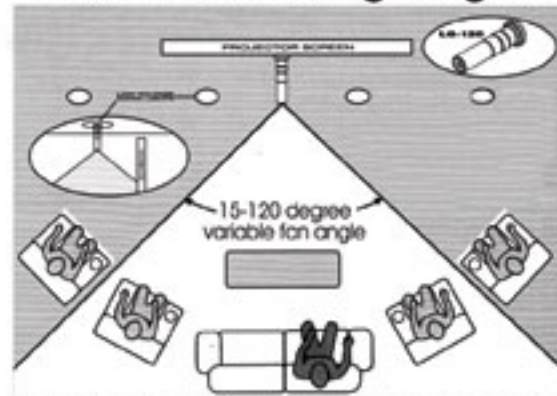
Use the rotary base plate as a work station for the R2D2 rotary base and P-770 "hands free" magnetic switch attachment.



Visualize Speaker Dispersion Pattern



Visualize Viewing Angles



By adjusting the laser fan angle to match screen gain, the LG-120 Variable Line Generator can be used to project the optimum horizontal and vertical viewing angle of any projector system or flat screen into the listening/viewing area for an invaluable aid in seating design and layout.

Snake Skin

Cable Management System



SnakeSkin is a state-of-the-art wire bundling and protection system. SnakeSkin is easy to use. Wires can be covered with or without ends attached. The wrap-around design provides 100% coverage that holds wires snugly in place. The weave construction will not retain moisture and protects wires and cables from abrasion. Convenient for rework and repair, Snake Skin can be easily removed and replaced. In addition, Snake Skin is expandable making covering of additional wires "no hassle". SnakeSkin provides a sleek, clean look for maximum appeal and confidence. The job is not dressed properly until the SnakeSkin is on! Best of all, SnakeSkin will not "chew up" your fingers like standard plastic split loom. Can be used on all audio, video, recording, broadcast, computer and auto sound applications.

Snake Skin

Snake Skin

3/8"



Model SK-0.3/200B
Length 200 feet

1/2"



Model SK-0.5/200B
Length 200 feet

1"



Model SK-1.0/100B
Length 100 feet

1.5"



Model SK-1.5/50B
Length 50 feet



BEFORE



AFTER



Typical Rack Install

Retail Pack

8 feet with two Regrip Cable Straps

Model No. SK-0.5/8 (1/2")

Model No. SK-1/08B (1")

Model No. SK-1.5/8B (1.5")



REG RIP

Reusable Cable Straps

REG RIP reusable cable straps are handy and easy to use. They are perfect for temporary and permanent bundling of wires and cables. Made from durable heavy duty hook and loop nylon, these straps will give years of reliable performance. Extra strength, one inch wide straps are available in 3 different styles, 8" and 12" lengths and 9 different colors.

BASIC
cost effective,
simple strap

TANDEM
two straps in one

CINCH
includes buckle for
heavy duty application

MODEL NO.	COLOR	PACK
GR0801-06B	Black	6 each
GR0810-06B	Assorted	6 each
GR0801-20B	Black	20 each
GR0801-100B	Black	100 each

MODEL NO.	COLOR	PACK
GR0801-06T	Black	6 each
GR0810-06T	Assorted	6 each
GR0801-20T	Black	20 each
GR0801-100T	Black	100 each

MODEL NO.	COLOR	PACK
GR0801-06C	Black	6 each
GR0810-06C	Assorted	6 each
GR0801-20C	Black	20 each
GR0801-100C	Black	100 each



Other Color Packs Available

REG RIP Mounts

REG RIP MOUNTS are the perfect companion with REG RIP STRAPS. These heavy duty nylon mounts can be attached to any surface with the self contained adhesive pad or a threaded screw.

As easy as one, two, three!



Model No. GR-M-101/6 Plastic mount for Regrip Straps 6 pack(clamshell)
 Model No. GR-M-101/20 Plastic mount for Regrip Straps 20 pack(bulk pack)
 Model No. GR-M-101/100 Plastic mount for Regrip Straps 100 pack(bulk pack)

CALL FOR QUANTITY DISCOUNTS!

800 777-9580 - www.americanrecorder.com
 Voice: 805 527-9580 Fax: 805 527-1433



Studio Accessories

Gig Box



Perfect for any musician or engineer, this kit offers a wide assortment of adapters, connectors and commonly used parts.

Great for everyday use and those unexpected emergencies.

Kit contains:

- 2-TRS male to XLR female
- 1-3.5 mm female to TRS male
- 2-TRS male to XLR male
- 2-TS female to RCA male
- 2-RCA female to XLR male
- 2-RCA female to TS male
- 2-RCA female barrel
- 20-rack mount screws
- 2-dual banana
- 1-3.5 mm male to dual RCA female
- 20 ea. cable ties
- 6 ea. Regrip reusable cable straps
- Tough plastic storage case

Model No. GCK-101

Guitar Survival Kit

A guitar player's best friend. Perfect for the working musician or the learning student, this kit contains all the tools and accessories necessary for everyday needs as well as those unplanned. Complete with rugged, high impact plastic storage case.



Model No. GL-GSX-101

- Kit Contains:
- 4 in 1 Screwdriver
 - REGrip cable straps
 - Ear Plugs
 - 2 Nine Volt batteries
 - Needle nose pliers/ wire cutters
 - Fuses
 - Set allen wrenches
 - String winder
 - Flashlight
 - Guitar Picks

Console Tape & Pen

Model No. TAPE-2010

Professional grade console tape will not leave residue. Includes fine-point permanent marker.



Gaffers Tape

Model No. TAPE-3001

2" x 50 yards



Electrical Tape

Model No. TAPE-4001

3/4" x 56 feet



6 in 1 Screwdriver

Model No. TL-1021

- Handy 6 in 1 with:
- 2 phillips
 - + 2 slotted
 - + 1/2" drive
 - + 5/16" drive



4" Needle Nose Pliers

Model No. TL-1022

Precision tip with spring handles



Ear Protection

Model No. EAR-110

High quality, soft and comfortable ear plugs. Rating CE SNR 37 db pack of 3



High Intensity Aluminum Flashlight

Model No. FLSH-127

9 LED bulbs last up to 20,000 hours. Includes 3 AAA batteries.



Cable Tester

Model No. CT-101

Test and verify that all types of audio cables are working properly with this compact cable tester. For testing XLR, TRS, RCA, DIN and speaker cables. 9v battery required.



Direct Box

Model No. DIB-101

Allows interfacing and connecting all types of balanced and unbalanced audio equipment, input attenuation and ground lift switches for maximum flexibility. No power required.



Mini Mixer

Model No. MIX-101

Stereo/Mono work module, controlled by module switch, 2x4 unbalanced input channels and two balanced output channels. Continuous working for more than 12 hrs. Power supply: DC 9V Battery.



Headphones

Model No. HP-670

Superior sound, high quality cushion pads, 3.5 mini & 1/4" plugs.



Desktop Mic Stand w/ Gooseneck

Model No. MS-T-303

8" height



Desktop Mic Stand

Model No. MS-T-306

Adjustable, 12" height



Microphone "Pop" Filter

Model No. PF-201

Eliminate "P" and "T" pop sounds. Includes clamp and 12" gooseneck.



Floor Mic Stand Floor Mic Stand with Boom

Model No. MS-F-102

Adjustable 56" maximum height



Model No. MS-F-303

Adjustable 56" maximum height. 30" Boom



Vocal Microphone Pro Microphone

Model No. MCD-101

Affordable all purpose dynamic microphone with on/off switch.

Element: Moving coil dynamic
Polar pattern: Hyper-cardioid.

Frequency: 50Hz-15KHz (0Db+1V/Pa@1KHz)
Output Impedance: 600 ohm@1KHz



Microphone Clip

Model No. MIC-1001



Pro/DJ Drawer

Model No. RM-2001

This really cool, two space locking rack drawer is the perfect companion for the DJ, pro audio engineer or musician. In it you will find an assortment of testers and tools for quick troubleshooting and repairs. All contents fit into a custom die cut protective foam insert to prevent items from shifting and damage during transport.

INCLUDES:
Cable Tester
Receptacle Tester
Digital Battery Tester
Wire Stripper
4 in 1 Screwdriver
Flashlight
Electrical Tape
Plastic Storage Box
Custom Foam Divider
2 Space Locking
Rack Drawer

Pro Microphone

Model No. MCC-201

FET Condenser Microphone

Perfect for all recording & broadcast applications. Excellent tonal balance and clarity. Utilizes 1" gold sputtered diaphragm with discrete, class A FET electronics and transformer coupled balance output. Switchable patterns and 10Db bass roll-off switch. Smooth response curve, large dynamic range and very low distortion. Shock mount included.



Polar Pattern: Cardioid, Omni
Frequency: 20Hz-20KHz
Sensitivity: 41 +2dB
(0dB+V/Pa at 1KHz)
Impedance: <250 ohm
Equivalent Noise Level: <22dB
Output Impedance: 600 ohm
Power Requirement:
48V phantom power



The Drummer's Wrench

Model No. DRM-1001



8 in 1 Multi Tool

Features:

- Drum Key
- 3/4" Adjustable Box Wrench
- 2" Knife Blade
- Phillips Screwdriver
- Slotted Screwdriver
- Bottle Opener
- Scissors
- Belt Holster



ON Air Signs

ON AIR

Model No. OSA-1001

RECORDING

Model No. OAS-1002

- Uses FPI (flat panel illumination technology)
- Requires no light bulbs
- 20,000 hour panel life
- Switchable blink mode
- Size: 14" x 5"
- Includes UL power supply

Drumsetter™

Model No. DRM-1002

Interlocking Drum Rug

- Unique carpet & foam hybrid design
- Lightweight and portable
- Protects flooring and resists movement
- Includes carrying case.



Set up size 4'x6'



Studio Accessories

800 777-9580 - www.americanrecorder.com
Voice: 805 527-9580 Fax: 805 527-1433



48

Speaker Stands

Speaker Stands



Professional Speaker Stands combine the strength of metal with the style and elegance of wood.

Hollow steel, gasket sealed pillars allow for sand/shot fill applications for the ultimate in stability and anti-resonance.

Stands include carpet spikes, vinyl glide feet, cable clips & assembly tool.

All American Recorder Technologies stands are backed by a limited lifetime warranty.



Black



Maple



Rosewood

Finishes



42"

36"

28"

12"

Specifications

	SPST-12	SPST-28	SPST-36	SPST-42
Height:	12"	28"	36"	42"
Top Plate:	8" x 9"	8" x 9"	8" x 9"	9" x 10"
Bottom Plate:	10" x 11.75"	10" x 11.75"	10" x 11.75"	12" x 15.75"
Pillar:	5" x 2.5"	5" x 2.5"	5" x 2.5"	5" x 2.5"
Max. Speaker Wt.	65lbs.	65lbs.	65lbs.	65lbs.
Carton Pack:	1 pair	1 pair	1 pair	1 pair

MODEL NO.	DESCRIPTION
Maple Finish	
SPST-12-M	12" Speaker Stand
SPST-28-M	28" Speaker Stand
SPST-36-M	36" Speaker Stand
SPST-42-M	42" Speaker Stand
Rosewood Finish	
SPST-12-R	12" Speaker Stand
SPST-28-R	28" Speaker Stand
SPST-36-R	36" Speaker Stand
SPST-42-R	42" Speaker Stand
Black Finish	
SPST-12-B	12" Speaker Stand
SPST-28-B	28" Speaker Stand
SPST-36-B	36" Speaker Stand
SPST-42-B	42" Speaker Stand

HD Fidelity Speakers **HD fidelity**

"Great Sounds Begin with a Great Set-up"

Introducing the HD FIDELITY™ Speakers from American Recorder Technologies Inc. HD Fidelity™ is the first line of high quality, superb sounding speakers that integrate world reknown SOUND ALIGNMENT SYSTEMS precisions laser alignment tools. These tools take the guesswork out of speaker placement and adjustment creating the ultimate in music staging and realistic multichannel sound effects. Unique and versatile, HD Fidelity™ Speakers are configured for both professional installer or DIY enthusiast.

The HD Fidelity™ Speakers have the added ability to accept our C700 Alignment tool via a special threaded insert. When activated the C700 projects a laser beam accurate up to 0.25" @ 100ft. allowing the user to visualize the speakers axis position. Once precise speaker placement is achieved, our SPL-8810 Sound Pressure Level Meter then can be used to obtain each channel's proper sound level. A complete easy-to-follow installation guide is included. C700 Alignment Tool and SPL-8810 SPL Meter sold separately.

In addition to a perfect set-up, HD Fidelity™ Speakers utilize the very latest in state-of-the-art material manufacturing process, dynamic carbon cone drivers, high output soft dome tweeters and low resonance MDF (medium density fiberboard) cabinets. High quality is extended aesthetically as well with three beautiful real-wood veneer finishes in maple, rosewood or black.



Complete 5.1 Home Theater Systems with four HDF-B5 bookshelves, one HDF-C5 center channel and one HDF-S10 150 watt 10" Subwoofer + SAS-1500 Basic Home Theater alignment kit.

Model No. HDF-SYS-100-B (black)
Model No. HDF-SYS-100-M (maple)
Model No. HDF-SYS-100-R (rosewood)

Complete 5.1 Home Theater Systems with four HDF-B5 bookshelves, one HDF-C5 center channel and one HDF-S10 150 watt 10" Subwoofer:

Model No. HDF-SYS-099-B (black)
Model No. HDF-SYS-099-M (maple)
Model No. HDF-SYS-099-R (rosewood)

HD Fidelity Speakers

HD Fidelity Speakers

800 777-9580 - www.americanrecorder.com
Voice: 805 527-9580 Fax: 805 527-1433



Equipment HD fidelity

HD Fidelity Speakers

HD Fidelity Speakers



MODEL: HDF-B5

STYLE: Bookshelf
TYPE: 2 Way
IMPEDANCE: 8 ohm
SENSITIVITY: 91db
FREQUENCY RESPONSE: 50-22,000 Hz
POWER HANDLING: 120 watts
WOOFER SIZE: 1 x 5.25" Carbon Cone
TWEETER: 1" Soft Dome
CABINET SIZE: 8.25L x 7.5W x 11"H
WEIGHT: 8 lbs.
FINISHES: Maple, Rosewood & Black



MODEL: HDF-C5

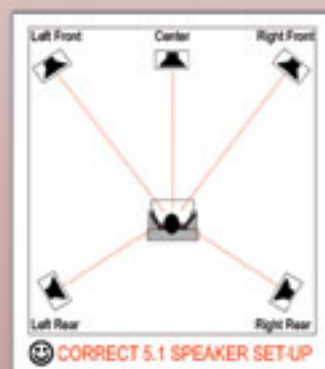
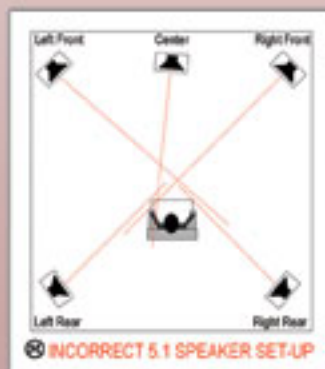
STYLE: Central Channel
Type: 2-Way
Impedance: 8 ohm
Sensitivity: 91 db
FREQUENCY RESPONSE: 70-22,000 Hz
POWER HANDLING: 100watts
WOOFER SIZE: 2x5.25" Carbon Cone
TWEETER: Soft Dome
CABINET SIZE: 18"L x 6.5"W x 7"H
WEIGHT: 12.2 lbs
FINISHES: Maple, Rosewood & Black



MODEL: HDF-S10

STYLE: Subwoofer
TYPE: Vented, down firing enclosure
IMPEDANCE: 4 ohm
SENSITIVITY: 92 db
FREQUENCY RESPONSE: 35-200 Hz
AMPLIFICATION: 150 watts@less than 1% THD
CROSSOVER: Selectable - 80 Hz/24db active (fixed) or by-pass (adjust)
WOOFER SIZE: 1x10" Carbon Cone
CABINET SIZE: 19"L x 12"W x 16"H
WEIGHT: 38 lbs
FINISHES: Maple, Rosewood & Black

Limited 5 Year warranty on speaker drivers and a 1 year warranty on electronics.



51

AMERICAN RECORDER

800 777-9580 - www.americanrecorder.com
Voice: 805 527-9580 Fax: 805 527-1433

HD Fidelity In-Wall Speakers provide full feature, ultra high-end sound reproduction at an affordable price. High quality components like Kevlar drivers, pivoting soft dome tweeters and butyl surrounds not only offer superior performance, but exceptional power handling, long-life and reliability. All speakers are backed by a limited lifetime warranty.

HD fidelity

**2-Way Round Ceiling Speaker
6 1/2" Model No. SPK-620**



6 1/2" black Kevlar woofer with butyl surround.
3/4" pivoting textile soft dome tweeter.
91 dB sensitivity
72 dB octave crossover
Frequency Response: 45Hz-20,000Hz
Power Handling: 40 watts nom. 80 watts max. 8 Ohms
Cut-out dimensions: 7 3/8" round 2 7/8" deep
Overall dimensions: 8 3/8" round

**2-Way Round Ceiling Speaker
8" Model No. SPK-820**



8" black Kevlar woofer with butyl surround.
1" pivoting textile soft dome tweeter.
91 dB sensitivity
72 dB octave crossover
Frequency Response: 35Hz-20,000Hz
Power Handling: 50 watts nom. 100 watts max. 8 Ohms
Cut-out dimensions: 8 5/8" round 3 3/8" deep
Overall dimensions: 9 3/4" round

2-Way DVC Round Ceiling Speaker, 6" Model No. SPK-622



Dual Voice Coil single point stereo
6" black Kevlar woofer with butyl surround.
Dual (L+R)3/4" dome tweeters. 91 dB sensitivity
Frequency Response: 45Hz-20,000Hz
Power Handling: 40 watts nom. 80 watts max. 8 Ohms
Cut-out dimensions: 7 3/8" round 2 7/8" deep
Overall dimensions: 8 3/8" round

2-Way DVC Round Ceiling Speaker, 8" Model No. SPK-822



Dual Voice Coil single point stereo
8" black Kevlar woofer with butyl surround.
Dual (L+R)3/4" dome tweeters. 91 dB sensitivity
Frequency Response: 35Hz-20,000Hz
Power Handling: 50 watts nom. 100 watts max. 8 Ohms
Cut-out dimensions: 8 5/8" round 3 1/2" deep
Overall dimensions: 9 3/4" round

2-Way Rectangle Wall Speakers, 6 1/2" Model No. SPK-790



6 1/2" Long Throw black Kevlar woofer with butyl surround and Phase Plug pole piece. 1" pivoting textile soft dome tweeter.
72 dB/octive crossover
Poly-switch overdrive protection
IR knock-out. 91 dB sensitivity.
Frequency Response: 45Hz-20,000Hz
Power Handling: 50 watts nom. 100 watts max. 8 Ohms
Cut-out dimensions: 7 3/8" W x 10 7/8" H x 3 1/8"D
Overall dimensions: 8 5/8" W x 12 1/8"H

2-Way Rectangle Wall Speakers, 8" Model No. SPK-892



8" Long Throw black Kevlar woofer with butyl surround and Phase Plug pole piece. 1" pivoting textile soft dome tweeter.
72 dB/octive crossover
Poly-switch overdrive protection
IR knock-out. 91 dB sensitivity.
Frequency Response: 35Hz-20,000Hz
Power Handling: 60 watts nom. 120 watts max. 8 Ohms
Cut-out dimensions: 9" W x 13" H x 3 1/4"D
Overall dimensions: 10 1/2" W x 14 1/2"H

In Wall Speakers

In Wall Speakers

800 777-9580 - www.americanrecorder.com
Voice: 805 527-9580 Fax: 805 527-1433



2-Way Rectangle Center Speaker



HD fidelity

Model No. SPK-LCR

Dual 5 1/4" long throw black Kevlar woofers with butyl surround and Phase Plug pole pieces
Magnetically shielded
Suitable for left center right application
may be oriented vertically or horizontally
1" pivoting textile soft dome tweeter
72 dB/octive crossover
Dual (L+R) 3/4" dome tweeters
Poly-switch overdrive protection
IR knock-out
97 dB sensitivity
Frequency Reponse: 45 Hz - 20,000 Hz
Power Handling: 50 watts nom. 100 watts max.
8 Ohms
sheetrock cut-out: 7 7/8" x 14 7/16" x 3 1/2" D
Overall dimensions: 9" x 15 3/4"

2-Way Indoor/Outdoor Speakers

IO-705

5 1/4" 2-Way acoustic suspension indoor/outdoor loudspeaker, sealed, port-less design enclosure prevents bugs and moisture from entering cabinet. Rust-proof grilles are epoxy paint coated, acid bathed, and passivated austenitic stainless steel for long life in high humidity and salt air environments.
5 1/4" Dupont R Kevlar woofer with butyl rubber surround.
1" Teteron pivoting tweeter.
Indoor/outdoor bass equalization
8 Ohms
40 Hz - 21,000 Hz
50 watts nom. 100 Watts max.
90 Db sensitivity
Versatile mounting options, includes standard type "U" bracket, and mounting bosses on rear for optional double-swivel mounting brackets.
Suitable for use on book shelves with bracket-less finished look.
Available in Black & White.

IO-706

6 1/2" 2-Way acoustic suspension indoor/outdoor loudspeaker. Sealed, port-less design enclosure prevents bugs and moisture from entering cabinet.

IO-708

8" 2-Way acoustic suspension indoor/outdoor loudspeaker. Sealed, pot-less design enclosure prevents bugs and moisture from entering cabinet.

Pre install Brackets available



MODEL NO.	DESCRIPTION
IO-705B	5.25" 2 WAY INDOOR/OUTDOOR Black
IO-706B	6.5" 2 WAY INDOOR/OUTDOOR Black
IO-808B	8" 2 WAY INDOOR/OUTDOOR Black
IO-705W	5.25" 2 WAY INDOOR/OUTDOOR White
IO-706W	6.5" 2 WAY INDOOR/OUTDOOR White
IO-806W	8" 2 WAY INDOOR/OUTDOOR White
PIB-7	PRE INSTALL BRACKET 6.5" Rectangle
PIB-82	PRE INSTALL BRACKET 8" Rectangle
PIB-LCR	PRE INSTALL BRACKET LCR
PIB-6	PRE INSTALL BRACKET 6" Round
PIB-8	PRE INSTALL BRACKET 8" Round

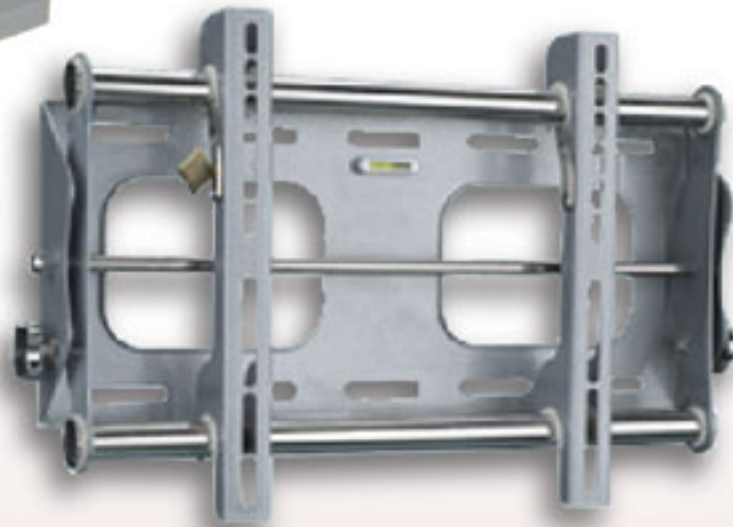


Flat Panel Mounts



Model No. PLSM-1002

Universal low-profile tilt flat panel wall mount. Lift-and-Hook design makes your installation fast and easy. Slide lateral on-wall adjustment. Compliant with all hole patterns including Vesa Standard. Fits 36"-60" plasma/LCD TVs. 89Kgs/198 Lbs maximum load capacity. Provides +/-15 degrees tilt for optimum viewing. Ergonomic design including level guide and complete mounting hardware kit.



Model No. PLSM-1002m

Universal low profile tilt flat panel wall mount. Lift-and-Hook design makes your installation fast and easy. Slide lateral on-wall adjustment. Compliant with all hole patterns including Vesa Standard. Fits 26"-42" plasma/LCD TVs. 56Kgs/125 Lbs maximum load capacity. Provides +/-15 degrees tilt for optimum viewing. Ergonomic design including level guide and complete mounting hardware kit.



Model No.	TV size	Weight Capacity	Product Size	Box Size	Gross Wt
PLSM-1002	36-60"	Max 198lbs/56Kgs	82x51/31x8	90x33x9	7.5/7Kgs
PLSM-1002m	26-42"	Max 125lbs/56kgs	58x35/29x8	59.5x25x9	4.5/4kgs

Flat Panel Mounts

Flat Panel Mounts



800 777-9580 - www.americanrecorder.com
Voice: 805 527-9580 Fax: 805 527-1433



Flat Panel Mounts

Model No. PLSM-1003

Universal low profile fixed flat panel wall mount.
 Lift-and-Hook design makes your installation fast and easy.
 Slide lateral on-wall adjustment.
 Compliant with all hole patterns including VESA standard.
 ML-P03:89 kgs/198 lbs maximum load capacity.
 Installs close to the wall for nearly 2.5"
 Ergonomic design including level guide, safe lock and cable clip.
 Includes mounting guide and complete mounting hardware kit.



Flat Panel Mounts

Model No. PLSM-1003m

Universal low profile fixed flat panel wall mount.
 Lift-and-Hook design makes your installation fast and easy.
 Slide lateral on-wall adjustment.
 Compliant with all hole patterns including VESA standard.
 56 kgs/125 lbs maximum load capacity.
 Fits 26-42" plasma/LCD TVs.
 Installed close to the wall for nearly 2.5".
 Ergonomic design including level guide, safe lock and cable clip.
 Includes mounting guide and complete mounting hardware kit.



Model No.	TV size	Weight Capacity	Product Size	Box Size	Gross Wt
PLSM-1003	36-60"	Max 198lbs/89Kgs	85x51/32x6	90x33x9	7.5/7Kgs
PLSM-1003m	26-42"	Max 125lbs/56kgs	54x35/32x6	59.5x25x9	4.5/4kgs

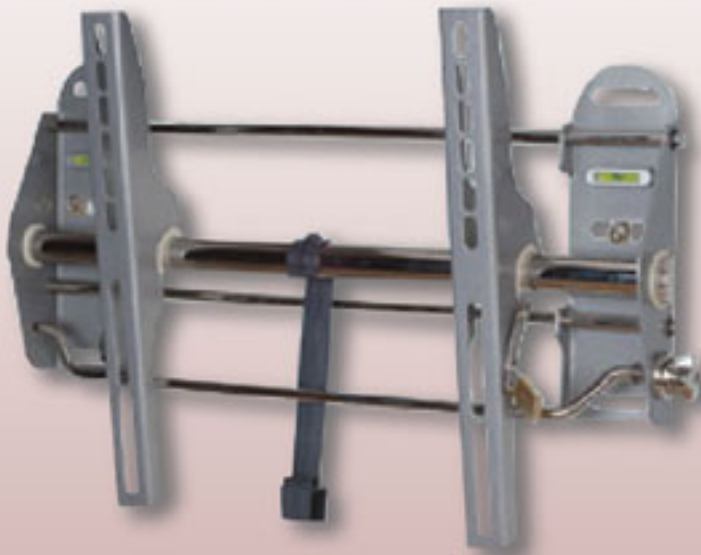


800 777-9580 - www.americanrecorder.com
 Voice: 805 527-9580 Fax: 805 527-1433



Model No. PLSM-1004

Universal low profile tilt plasma wall mount. Lift-and-Hook design makes your installation fast and easy. Slide lateral on-wall adjustment. Compliant with all hole patterns including Vesa Standard. Fits 36"-60" plasma/LCD TVs. 89Kgs/198 Lbs maximum load capacity. Provides +/-15 degrees tilt for optimum viewing. Tilt adjustment knob allows you to adjust your TV in 5 degree increments. Ergonomic design including level guide, safe lock and cable clip. Includes mounting guide and complete mounting hardware kit.



Model No. PLSM-1004m

Universal low profile tilt plasma wall mount. Lift-and-Hook design makes your installation fast and easy. Slide lateral on-wall adjustment. Compliant with all hole patterns including Vesa Standard. Fits 26"-42" plasma/LCD TVs. 56Kgs/125 Lbs maximum load capacity. Provides +/-15 degrees tilt for optimum viewing. Tilt adjustment knob allows you to adjust your TV in 5 degree increments. Ergonomic design including level guide, safe lock and cable clip. Includes mounting guide and complete mounting hardware kit.



Model No.	TV size	Weight Capacity	Product Size	Box Size	Gross Wt
PLSM-1004	36-60"	Max 198lbs/89Kgs	85x53/30x8	90x33x9	7.5/7Kgs
PLSM-1004m	26-42"	Max 125lbs/56kgs	54x35.5/29x8	59.5x25x9	7.5/4kgs

Flat Panel Mounts



800 777-9580 - www.americanrecorder.com
 Voice: 805 527-9580 Fax: 805 527-1433





Model No. PLSM-1006

Universal slim fixed flat panel wall mount.
Fits most 36-60" screens with VESA 75/100 mount pattern.
Holds weight up to 198 lbs/89kgs.

Model No. PLSM-1006m

Fits most 26"-42" screens with VESA 75/100 mount patterns.
Holds weight up to 125 lbs.

Slide lateral on-wall adjustment.
Installs close to the wall at nearly 2".
Ergonomic design including level guide, safe lock and cable lock.
Includes mounting guide, complete hardware kit and gift box.

Flat Panel Mount
Model No. PLSM-1006

Flat Panel Mount
Model No. PLSM-1006m

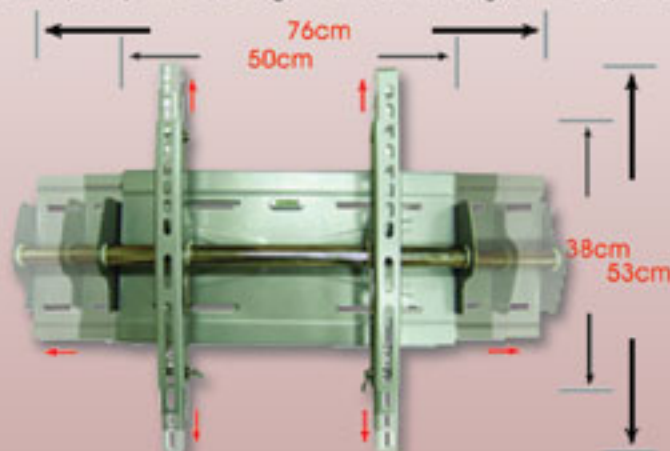


Flat Panel Mount
Model No. PLSM-1005



Flat Panel Mount
Model No. PLSM-1009

Universal slim tilt wall mount fits 26" - 60" Plasma/LCD TVs.
Extendable design makes easy assembly for med. or large flat panels.
Compliant with all hole patterns including VESA standard.
Load capacity: 198 lbs/89 kgs. Provides 150 degree tilt for optimum viewing.





Rigid extruded aluminum construction and anodized finish.
Fits most 13-30" screens with VESA 75/100 mount pattern.
Holds weight up to 40 lbs/18kgs.
Upwards and downwards up to 20 degrees.
Swivels left and right up to 270 degrees.
Includes mounting guide and complete hardware kit.
Available in different colors

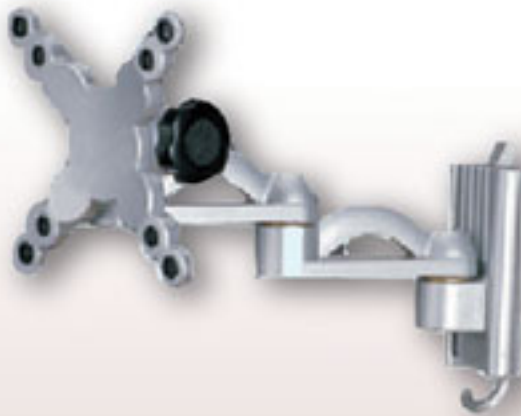


Flat Panel Mount Model No. LCDM-1001

Extension: 6.5cm min/26.3cm max.

Flat Panel Mount Model No. LCDM-1002

Extension: 6.5cm min./17.3cm max



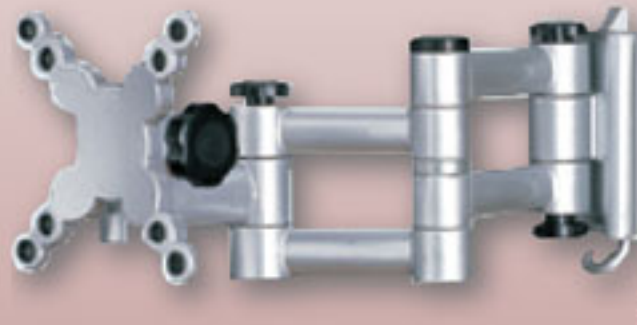
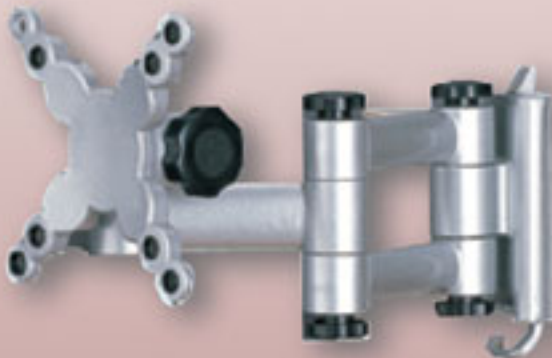
Flat Panel Mount Model No. LCDM-1003

Extension: 6.5cm min/26.3cm max.



Flat Panel Mount Model No. LCDM-1004

Extension: 6.5cm min/35.3cm max.



Flat Panel Mounts

Flat Panel Mounts



Mounts

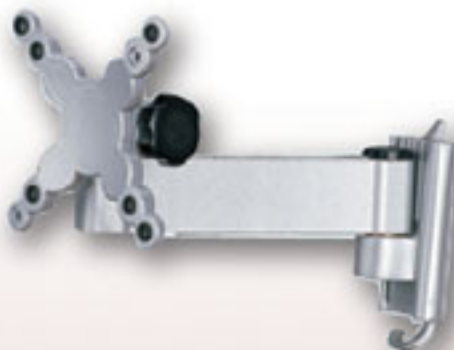
Rigid extruded aluminum construction and anodized finish.
 Fits most 13-30" screens with VESA 75/100 mount patterns.
 Holds weight up to 40 lbs / 18kgs.
 Upwards and downwards up to 20 degrees.
 Swivels left and right up to 270 degrees.
 Includes mounting guide and complete hardware kit.
 Available in different colors.

**Flat Panel Mount
 Model No. LCDM-1005**

Extension: 6.5 cm minimum/41.7cm maximum.

**Flat Panel Mount
 Model No. LCDM-1006**

Extension: 6.5 minimum/24.7cm maximum



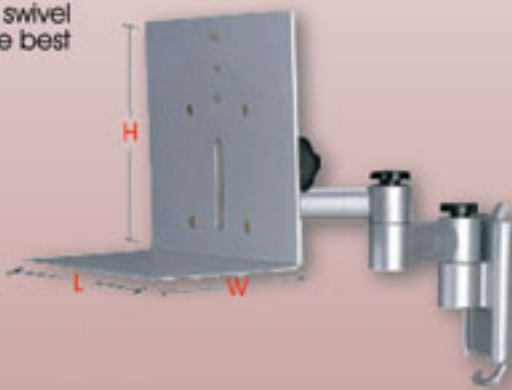
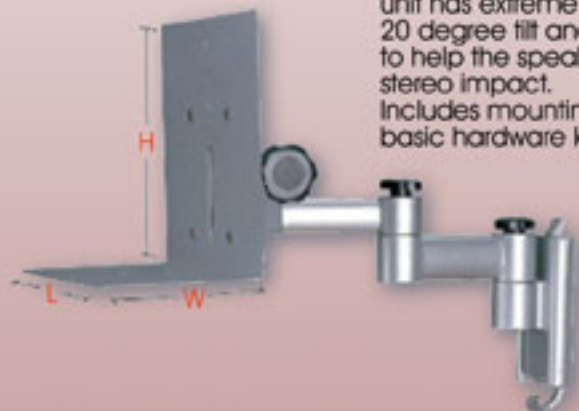
**Speaker Mount
 Model No. SPS-101**

Speaker box plate size: 30x20x12cm.

**Speaker Mount
 Model No. SPS-102**

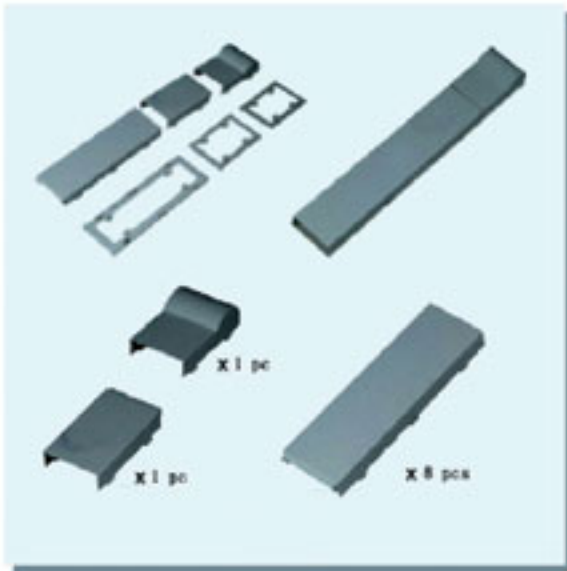
Speaker box plate size: 20x16x10cm.

Slide-in easy installation.
 Rigid extruded aluminum construction and anodized finish.
 Knob adjustment and gear joint design make it effortless to tighten the joint, unit has extreme rigidity.
 20 degree tilt and 270 degree swivel to help the speaker box find the best stereo impact.
 Includes mounting guide and basic hardware kit.



Cable Management System

Model No. CMS-101



2.0 meters/6.6 ft long.
Straight design.
Can be used with CMS-103 to
solve all corner problems.
Compliant with all TV mounts.
Easy installation.



Cable Management System

Model No. CMS-102



3.0 meters/9.9 ft. long
Straight design.
Can be used with CMS-103 to
solve all corner problems.
Compliant with all TV mount.
Easy Installation.

Cable Management System

Model No. CMS-103



Designed to eliminate corner problems.
Can be used with CMS-101 or CMS-102.
Compliant with all TV mounts.



Flat Panel Mounts

Cable Management

800 777-9580 - www.americanrecorder.com
Voice: 805 527-9580 Fax: 805 527-1433



pMix

Personal Audio Mixer
Model no. PMIX-100



Functional

The pMix™ personal audio mixer is the unique and versatile audio mixer designed specifically for all personal audio devices such as ipod, mp3 player, satellite radio, CD, DVD and computers. Simply connect audio devices and amplified speakers to the pMix™ for total control of all sound sources through a single speaker system. This eliminates the expensive cost of having to purchase multiple speakers and the clutter they create!

Practical

Remember the old days when a radio had a simple volume control knob. If the radio was too loud, you would just have to turn the knob counter-clockwise and the sound would instantly lower. With today's audio devices, volume levels are controlled by elaborate electronic buttons or menus that are not always easy to access. The pMix™ control knobs work just like that vintage radio knob, allowing instant sound adjustment of up to three audio devices at your fingertips.

Convenient

There is a right way and a wrong way to hook up your audio gear. Using "Y" adapters and splicing cables together can inject audio noise and distortion, as well as damage your equipment. The pMix's protection circuitry allows you to safely connect all audio devices to a single amplified speaker system. For private listening, plug in your favorite headphones and the speaker output is automatically turned off so you're sure not to bother your spouse, sibling or roommate. Need to connect more audio gear to your hi-fi? Just plug the pMix™ into your audio receiver's auxiliary RCA input and instantly have up to three auxiliary inputs.

iPod is a registered trademark of Apple Computers Inc.

*The simple device that does so much.
Eliminate the clutter
caused by too many
speaker systems.*



*Connect up to 3 audio
devices to a single amplified speaker system.*



*Private listening - with the pMix you can listen
to all your sound without disturbing others.
Perfect for work, home, or the college dorm room.*



*Plug the pMix into your home hi-fi system to
add three audio inputs with individual level
controls. The pMix can be placed anywhere
in a room via a remote audio input jack.*

Non-alcohol formulation removes oxides, adhesives and other contaminants from all tape heads, capstans and pinch rollers. Improves tracking and frequency response. Will not dry out rubber components.

S-721H Tape Head Cleaner

Model No. S-721H-2 (2 oz.)
Model No. S-721H-Q (quart can)



Tape Head Cleaning Kit

Model No. FA-101
1/2 oz. fluid & 25 cotton swabs



Tape Head Cleaning Kit

Model No. FA-102
1/2 oz. fluid & 5 chamois swabs



Wipe

Model No. WP-1
(4"x 4") 100 ea.



Cotton Swab (100)

Model No. CS-1



Video Chamois Swab (10)

Model No. VS-1



Pointed Cotton Swab (100)

Model No. CS-2



Plastic Stick Swab (100)

Model No. CS-3



Cassette Cleaner

Model No. C911B

Replacement Pads (3pack)
C-912B COST-3.00 MSRP 6.00



VHS Cleaner

Model No. V-311B



Adat Cleaner

Model No. AD-311B

Basic automatic Adat cleaner includes 1/2 oz. cleaning fluid, dropper & instructions. Designed for 20 cleanings.



Vinyl Disc Cleaner

Model No. VDC-101



Adat Kit

Model No. AD-171



Auto & manual cleaning. Includes AD-311B, 2 oz. S-721H, 10VS-1 swabs & instructions

Adat Kit

Model No. AD-171D



Same as AD-171 plus dust & particle remover w/ 3 cartridges

Demagnetizer

Model No. D-512



Professional Wand Demagnetizer 110 volt

Demagnetizer

Model no. D-501



Cassette Demagnetizer Battery operated

Cleaning Products

Tape Head Cleaners

800 777-9580 - www.americanrecorder.com
Voice: 805 527-9580 Fax: 805 527-1433



DVD/CD Lens Cleaner

Model No. LL-151



Over time the optical lens will accumulate dirt and dust. This will contribute to mis-tracking, skipping, erratic speed, loss of information and degradation of reproduction quality. An unclean lens will activate the error correction circuit which could cause audio or video loss.

For perfect digital reproduction, it is important to regularly clean the optical laser lens in DVD/CD/CD-ROM and CD-i players as well as cleaning the discs themselves. The LL-151 utilizes special dual fiber brushes that effectively remove accumulated dust and dirt from the optical lens.

DVD/CD Cleaner

Model No. CD-101P



Dirt, dust and fingerprints on DVD's and CD's can cause skips, pops and loss of clarity. The CD-101P safely and effectively removes these and other residues from the disc surface. Our ULTRAPURE disc cleaning fluid is a non alcohol formulation that will not streak, yellow or leave a residue. In addition it supplies an anti-static playing field. The SOFTEX cleaning pads are made from a super soft 100% filtered cotton loop that will not scratch the disc surface. Includes: 1 oz. cleaning fluid
3 SOFTEX cleaning pads
1 cleaning handle
1 cleaning pad brush

DVD/CD/Lens Combo Kit

Model No. LLCD-2



LL-151 & CD-101P
in one kit

Ultrapure

Model No. CD-103A

Disc Cleaning
Fluid 1 oz. spray
bottle



Softex Cleaning Pads

Model No. CO-53400

(3 each)



"The World Leader in Portable Digital Photo Studios"

**PHOTO STUDIO
IN-A-BOX®**
LIGHTS - TRIPOD - NYLON DIFFUSER SCREEN - TRAVEL CARBON



Taking professional-style product and still images used to require expensive lights, oversized diffusion screens, bulky tripods and a dedicated space to set it all up - not to mention a lot of cash!

That has all changed with the PHOTO STUDIO IN A BOX®, the original and complete table top portable photo studio for today's digital world. All PHOTO STUDIO IN A BOX® models take just minutes to set up and include all the necessary equipment for proper imaging; lights, soft lighting tent, camera stand and background. PHOTO STUDIO IN A BOX® diffuses direct light for proper illumination without any harsh shadows, creating crisp, clear and detailed images. When photography is complete, all equipment fits neatly into the nylon case for convenient travel and storage.

With the growing demand for digital imaging products, internet auction, digital scrap booking, online catalogs and web design, the PHOTO STUDIO IN A BOX® is the affordable solution for today's digital photographer!

Don't be fooled by imitations, the PHOTO STUDIO IN A BOX® brand name and logo is your guarantee that you are getting genuine PHOTO STUDIO IN A BOX® kits and accessories

800 777-9580 - www.americanrecorder.com
Voice: 805 527-9580 Fax: 805 527-1433

**AMERICAN
RECORDER**
TECHNOLOGIES

64

Photo Studio in a Box

Photo Studio in a Box



"PRO" NEW
Photo Studio-In-A-Box®
Model SIB-180



- 6400K Daylight Temperature Lamps
- Large built-in reflectors with light mounts
- 16" x 16" x 16" soft lighting tent
- Fully adjustable SLR camera stand
- Dual side green/purple background
- Folding briefcase style travel/storage case
- One year limited warranty (excluding light bulbs)

PATENT PENDING



Lamp detail

New revolutionary design for the ultimate imaging!
 The SIB-180 "PRO" model PHOTO STUDIO IN A BOX® utilizes large, 16" x 16" built-in curved reflectors for increased light intensity. The two 6400K daylight temperature lamps produce the most accurate, balanced and natural color and hue. Soft lighting tent diffuses direct light eliminating harsh shadows and glare. Heavy duty table top camera stand reduces jitter and supports full size SLR digital cameras. Stand is fully adjustable, allows positioning at any angle, even straight down. Arm extends up to 20" with removable camera shoe. Includes dual sided green/purple background.



Back view/built-in case



Replacement Bulb



Camera Stand



Packaging

Model No. LAMP-CF-9W

Model No. PHO-1017

**PHOTO STUDIO
IN-A-BOX®**
LIGHTS - TRIPOD - WHITE BACKGROUND SCREEN - TABLE CAMERA



NEW "COMPACT"
Photo Studio-In-A-Box®
Model No. SIB-075



Camera not included

- 2800K Tungsten Halogen Lamps
- 8" light stands with retractable legs
- 16" x 16" x 16" soft lighting tent
- Mini Camera Stand
- White background
- Folding briefcase style travel/storage case
- One year limited warranty (excluding light bulb)

SIB-075 "Compact" PHOTO STUDIO IN A BOX® is our most affordable model. Features two, high-output 2800K tungsten halogen lights with color correcting lens for excellent color balance, illumination and intensity. Pop-up style soft lighting tent diffuses direct light, eliminating harsh shadows and glare. Mini table top camera tripod has adjustable legs and reduces camera jitter. Supports compact digital cameras only. Includes clips for attaching additional backgrounds.



"CLASSIC" Photo Studio-In-A-Box®
Model No. SIB-101CS



AWARD WINNING

Camera not included



- 2800K Tungsten Halogen Lamps
- 8" light stands with retracable legs
- 16" x 16" x 16" soft lighting tent
- Fully adjustable compact camera stand
- Dual sided blue/gray background
- Folding briefcase style travel/storage case
- One year limited warranty (excluding light bulb)

The SIB-101-CS "CLASSIC" model PHOTO STUDIO IN A BOX® is the original unit that started it all! Features two, high-output 2800K tungsten halogen lights with color correcting lens for excellent color balance, illumination and intensity. Soft lighting tent diffuses direct light eliminating harsh shadows and glare. Table top camera stand reduces jitter and supports all compact digital cameras. Fully adjustable, allows positioning at any angle, even straight down. Arm extends up to 20" with removable camera shoe. Includes dual side blue/gray background.



800 777-9580 - www.americanrecorder.com
Voice: 805 527-9580 Fax: 805 527-1433



Photo Studio in a Box

**PHOTO STUDIO
IN-A-BOX®**
LENS - TRIPD - 30" X 30" X 30" SOFT LIGHTING TENT - 6400K DAYLIGHT



"SUPER SIZED" Photo Studio-In-A-Box® Model SIB-201

- 6400K Daylight Temperature Lamps
- Floor standing lights with reflectors
- 30" x 30" x 30" soft lighting tent
- Full featured 54" floor standing tripod
- White background
- Suitcase style travel/storage case
- One year limited warranty (excluding light bulb)

SIB-201 "SUPER SIZED" PHOTO STUDIO IN A BOX® for photography of large objects. The two floor standing 6400K daylight temperature lamps produce the most accurate, balanced and natural color and hue. Extra large pop-up style 30" x 30" x 30" soft lighting tent diffuses direct light, eliminating harsh shadows and glare. 54" floor tripod features 3 way pan head, removable shoe, bubble level, rubber feet and a geared elevator crank. Supports all compact and SLR digital cameras. Includes clips for attaching additional background material.

Photo Studio in a Box
"Super Sized"



Soft Lighting Tent



Floor Standing Lights



Model No. LAMP-CF-30W

Replacement Lamp



Travel/storage case



Packaging



Model No. TRPD-0555

54" Floor Tripod



**AMERICAN
RECORDER**
TECHNOLOGIES

800 777-9580 - www.americanrecorder.com
Voice: 805 527-9580 Fax: 805 527-1433

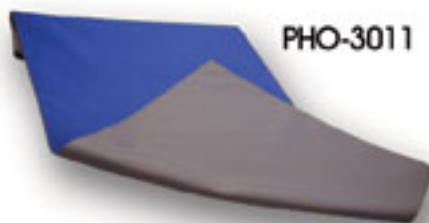


Accessories

12" Turntable
Model No. PHO-4001



Background Cloth for SIB-101CS & 075
Blue & Gray



PHO-3011

Soft Lighting Tent
30"x 30"x 30"
Model No. PHO-3005



Soft Lighting Tent
16"x 16"x 16"
Model No. PHO-3010



Background Cloth for SIB-101CS & 075
Black & White



PHO-3012

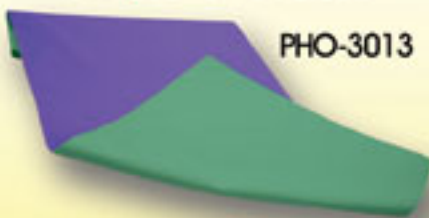
Table Top Lights
Model No. PHO-1005



Floor Standing Lights (pair) Model No. PHO-2006



Background Cloth for SIB-101CS & 075
Purple & Green



PHO-3013

Studio quality high output 2800K tungsten lamp for excellent even-color temperature and clarity. Retractable legs allow for hand held use. 35 Watts, UL Listed

Replacement Bulb
Model No. LAMP-H-35W

Two floor-standing, 30 watt lights deliver 6500K of proper color temperature with large 8" reflectors. Includes carrying case.

Replacement Bulb
Model No. LAMP-CF-30W

Background Cloth for SIB-101CS & 075
Red & Yellow



PHO-3014

Photo Studio in a Box

800 777-9580 - www.americanrecorder.com
Voice: 805 527-9580 Fax: 805 527-1433



Advanced Micro Fiber Cleaning Cloths

This cloth is a synthetic micro fiber textile product. The result is a fiber so soft, yet reusable, it will amaze you over and over again. It is safe and effective on all delicate surfaces. Dry, this soft **Ultra Cloth** absorbs damaging moisture without scratching.

Ultra Cloth 11" x 12"
Model No. CO-53100



Ultra Cloth mini
6 1/2" x 6 1/2"
Model No. CO-53106



Optikal Kleener
Model No. CO-53400

Filtered Static-free.
Professional use
uncented
liquid-mist
cleaner.
Safe for all
nonporous
and optical
surfaces.
Non toxic.
Biodegradable.
Alcohol free.
Enzyme
activated.
Solvent free.
4 oz. Bottle.



Anti-Static Gloves
Model No. CO-53108
1 pair - large
Model No. CO-53116
1 pair - X-large

Breathable Polyester with
conductive Carbon
fibers woven in.



Advanced Micro Fiber Storage bags

These bags are made from the same silky soft material as our cleaning cloths and will not scratch external surfaces. Gear bags have a tube design with drawstring closure (ideal for camera lenses or mp3 players) while the blue equipment bags have a rectangular shape with a protective folding flap (great for camera bodies or back up drives). Protects sensitive photographic and electronic equipment from dust, moisture and other contaminants.

Equipment Bag
Model No. CO-53107
8.5" x 6.5"
Model No. CO-53111
10.5" x 10"

These bags have a protective
flap and are available in
8 1/2" x 6 1/2" or 10 1/2" x 10"



CD/Gear Bag
Model No. CO-53109
5.5" x 8.5" (gray)
Model No. CO-53110
5.5" x 8.5" (black)

These bags are 5 1/2" x 8 1/2"
and come in grey or black.
Draw string closure.



CD/Gear Bag
Model No. CO-53112
7" x 13" (gray)
Model No. CO-53113
7" x 13" (black)

These bags are 7" x 13"
and come in grey or black.
Draw string closure.



CO-53111 shown with SLR camera

Digital Sensor Cleaners

American Recorder Technologies has done it again with our new line of *Digital Sensor Cleaning Kits* featuring our world famous CO₂ Dust & Particle Remover along with genuine UltraPure Optical Cleaning Fluid & DIGISWABS*



Sensor Cleaning Kit + CO₂ Duster and Travel Case

The CO₂ uses pure & natural carbon dioxide gas for residue free cleaning without harmful vapors.

MODEL NO.
DSCK-217
DSCK-220
DSCK-224

kit includes:
 1/2 oz. Ultrapure
 6 Digiswabs
 1 CO₂ duster
 3 12g CO₂
 cartridges
 1 travel case



BRAND	MODEL	BASIC CLEANING KIT	DELUXE CLEANING KIT	6 PACK SWABS
CANON	60D	DSCK-117	DSCK-217	SS-117
	350D, 10D, 20D, 300D, 30D	DSCK-117	DSCK-217	SS-117
	D30, D60, Rebel (original)	DSCK-117	DSCK-217	SS-117
	1D, 1D Mark II, 1D Mark III	DSCK-120	DSCK-120	SS-120
	1Ds, 1Ds Mark II	DSCK-120	DSCK-120	SS-120
	5D Mark II	DSCK-124	DSCK-224	SS-124
CONTAX	N-digital	DSCK-124	DSCK-224	SS-124
FUJI	S1, S2, S3, S5	DSCK-117	DSCK-217	SS-117
KODAK	760, 620, 620x	DSCK-120	DSCK-120	SS-120
	14n, SLRt, SLRrh	DSCK-124	DSCK-224	SS-124
KONICA MINOLTA	5D	DSCK-117	DSCK-217	SS-117
	7D	DSCK-117	DSCK-217	SS-117
LEICA	DMR	DSCK-124	DSCK-224	SS-124
NIKON	D1, D100, D1H, D1X, D200,	DSCK-117	DSCK-217	SS-117
	D2H, D2Hs, D60	DSCK-117	DSCK-217	SS-117
OLYMPUS	E1, E300	DSCK-117	DSCK-217	SS-117
PENTAX	ist D/DL/D8	DSCK-117	DSCK-217	SS-117
SIGMA	SD-14	DSCK-117	DSCK-217	SS-117
	SD9, SD10	DSCK-120	DSCK-120	SS-120

*Consult manufacturer's specific cleaning instructions before using these products

Digital Sensor Cleaning Kit 1/2 oz. UltraPure fluid + 6 Digiswabs



MODEL NO.
DSCK-117
DSCK-120
DSCK-124

Digiswabs 6 Pack



MODEL NO.
SS-117
SS-120
SS-124

UltraPure Fluid



1/2 oz. bottle

MODEL NO.
OCF-0.5

Cleaning Products

Digital Sensor Cleaners

800 777-9580 - www.americanrecorder.com
 Voice: 805 527-9580 Fax: 805 527-1433



DIGIBRUSH

Model No. DSCK-501



bristle close-up



DIGIBRUSH™ - DIGITAL SENSOR CLEANING BRUSH

The DIGIBRUSH™ is designed to safely clean the SLR camera's digital sensor when the use of traditional fluids and swabs is not possible. The DIGIBRUSH™ is designed using state-of-the-art carbon fiber technology, which offers superior performance over many other synthetic and natural brushes.

The DIGIBRUSH™ utilizes extremely fine carbon fiber bristles, typically less than 0.0003" and is made up of 94% pure carbon. These fibers have incredible tensile strength of 525 Ksi, (that's kilo pounds per square inch) which provide good abrasion resistance, allowing the bristles to maintain their shape but will not break easily when used.

While exhibiting remarkable strength, the fiber's thinness makes them incredibly soft! These thin fibers, strategically mounted on the brush head, allow the DIGIBRUSH™ to trap and remove minute particles of dust and dirt from digital sensors and other delicate surfaces.

In addition, carbon fibers are near neutral on the triboelectric chart (friction measurement) of static generation. They neither give nor take electrons and, therefore, remain essentially electrically neutral and will not generate any potentially damaging electrical static discharge!

The DIGIBRUSH™ is perfect for both the professional and photographic enthusiast.



container

Aerosol cleaning sprays, (incorrectly identified as "canned air") are actually petroleum chemicals which can leave a residue and emit harmful vapors! The safe alternative is non-toxic, non-flammable and 100% natural carbon dioxide gas. Carbon dioxide gas or CO₂ is perfect for cleaning all types of sensitive optics and electronics without exposure to hazardous chemicals and vapors. Using CO₂ gas cartridges, combined with our precision valve and nozzle, will deliver 5 times the power of standard aerosols. In addition the empty steel cartridges are 100% recyclable, eliminating landfill waste. Be green when you clean...with the CO₂!

Basic CO₂ Duster

Model No. CO-2

CO₂ with (3) 12 gram cartridges



Softpack

Model No. CO-SOFTD

CO₂ with 5 cartridges & nylon travel bag



Replacement Cartridges

Model No. CO-2/6



6 each 12 gram cartridges to a pack. Used properly each cartridge delivers 150 to 200 half sec. cleaning blasts



Holster

Model No. CO-H



Holster will fit all types of belts up to 3"



CO₂ Duster 38 gram cartridges

Model No. CO-51100

38 gram duster
Approx. 450
1/2 second applications.

Replacement Cartridges
Model No. CO-51101



CO₂ Duster 74 gram cartridges

Model No. CO-54200

74 gram duster
Approx. 800
1/2 second applications.

Replacement Cartridges
Model No. CO-52101



Nitro Clean

Model No. CO-88100

Nitrogen gas (N₂) for the ultimate in cleaning.

Totally dry output even when spray unit is inverted.

18 gram cartridge with valve & nozzle. Approx. 200-1/2 sec. applications.

Replacement Cartridges
Model No. Co-88123



Cleaning Products

CO₂ Dust & Particle Remover

800 777-9580 - www.americanrecorder.com
Voice: 805 527-9580 Fax: 805 527-1433



72

Mini Folding Tripod

Model No. TRPD-8L



Small table-top tripod 3.5"-6.125" ext.

Soda Bottle Mount

Model No. TRPD-79



Mini Tripod, Silver

Model No. TRPD-99



6"-7" Extension

Table-Top Stand

Model No. PHO-1015



18" Extension

12" spread

Table-Top Stand (Heavy Duty)

Model No. PHO-1017



20" extension

14" spread

54" Aluminum Tripod

Model No. TRPD-0555



Bubble level.
Geared elevator crank.
3-way pan head.
Quick-release leg locks.
Non-slip feet.
Sturdy 3-section legs.
Fluid effect head.

Aluminum Tripod 58", 61" & 67"



Bubble level.
Quick release shoe.
Geared elevator crank.
Center column lock.
Accessory hook.
3-way pan head.
Quick-release leg locks.
Self-leveling feet.
Sturdy 3-section legs.
Fluid effect head.

Model No. TRPD-0554A(58")

Model No. TRPD-0552 (61")

Model No. TRPD-0551 (67")

54" Aluminum Tripod W/Camera Bag

Model No. TRPD-05593



Bubble level.
Geared elevator crank.
3-way pan head.
Quick-release leg locks.
Non-slip feet.
Sturdy 3-section legs.
Fluid effect head.

40" Slim Brass/Alum. Tripod

Model No. TRPD-0640



Full size, 8 section extends 10.25" to 40".
2 way pan head adjusts 180-360 degrees
Quick release shoe, no skid feet & bag





Professional Bags & Cases

Fits Canon XL-1 and similar size cameras. Dense, protective foam padding throughout. Shock absorbing block for lens. Room to hold battery charger, view-finder(attached), battery(attached) microphone(attached), & remote control. Thick padded leather shoulder strap & leather hand grip. Complies with airline carry-on specifications & lockable with use of a small luggage combo lock. Straps accommodate smaller accessory cases for lense & accessory pocket for cell phone. All-purpose pockets for cables, manuals & filters. Extra strength stitching, water resistant nylon and heavy duty zippers.



Digital Camera Bag

Model No. BG-DCB-S (18" x 12" x 10")
Model No. BG-DCB (21" x 12" x 10")

Bags



Tech/Ditty Bag

Model No. BG-DIT

Grips, techs & carpenters on location, prefer using the Tech/Ditty Bag over bulky metal tool cases. Provides easier access to needed set tools and supplies. This design has become an industry standard. 10"x10".

Bags

800 777-9580 - www.americanrecorder.com
Voice: 805 527-9580 Fax: 805 527-1433



CATALOG NO. 29
PRICE: \$5.00

**AMERICAN
RECORDER**
TECHNOLOGIES

American Recorder Technologies, Inc.
P.O. Box 1450 Simi Valley, CA 93062-1450
4486 Runway Street, Simi Valley, CA 93063
TOLL FREE: 800 777 9580
Voice: 805 527 9580 FAX: 805 527 1433
EMAIL: sales@americanrecorder.com
WEB: www.americanrecorder.com

MEMBER

NAMM

PMA

CEDIA

NSCA

FIRST CLASS
U.S. POSTAGE
PAID
KISS MARKING

American Recorder Technologies, Inc
P.O. Box 1450
Simi Valley, CA 93062-1450

**AMERICAN
RECORDER**
TECHNOLOGIES