

## SC-10 Subwoofer SubContractor™ Series

REFERENCE QUALITY CUSTOM INSTALLATION SUBWOOFERS

Velodyne Acoustics, the #1 rated subwoofer company for over 20 years, now offers the SubContractor Series - a powerful, easy-to-install line of subwoofers with an outboard, rack-mountable amplifier specially designed for any custom installation need.

The SC-10 features a 10-inch driver for powerful bass in a compact cabinet. Its small size, shallow depth, and flush rear panel make it easy to conceal. It connects to the SC-1250 amplifier with conventional speaker wire, for maximum placement flexibility. The SC-10 can be placed facing downward, for venting through the kick plate of a custom cabinet. No other subwoofers offer the compact, powerful, low-distortion bass of the SC Series!

### Features

- Outboard amplification for ease of placement using conventional speaker wire
- Small and shallow – just 12.9" x 12.4" x 9.3" (HWD) including grille and feet
- Front-firing, sealed cabinet can be placed down-firing (feet included)
- Elegant black pica finish
- The matched SC-1250 amplifier can power one or two SC-10 subs (amp sold separately)

### Powerful, Linear Drivers

The SC Series employs Velodyne's multi-layer, Kevlar reinforced, resin cones mounted in die-cast aluminum baskets with massive magnet structures. Each driver incorporates Velodyne's unique dual-wound voice coil that assures linear travel and allows for the heat dissipation needed to handle the gigantic power output of the SC-1250 amplifier.

### Easy to Install and Configure

Placement of the SC-10 is easy due to its compact size, outboard amplifier, and recessed speaker wire connector. The SC-1250 rack-mountable amplifier features 3000 watts dynamic power and 1250 watts of continuous RMS power. The SC-1250 also comes with DSP control, a built-in 7-band automatic room EQ, 12-volt trigger, IR repeater jack, RS-232 control port (Crestron Certified), and a full-featured remote with factory listening presets. Standard speaker wire is used to connect the SC-1250 to the SC-10. The SC-1250 can power up to TWO SC-10 subs.



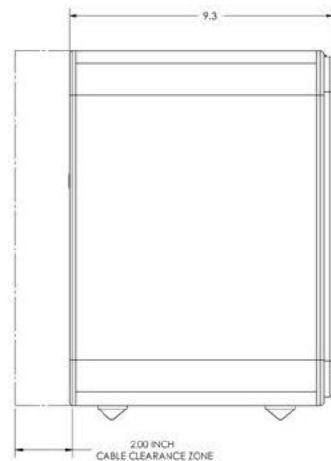
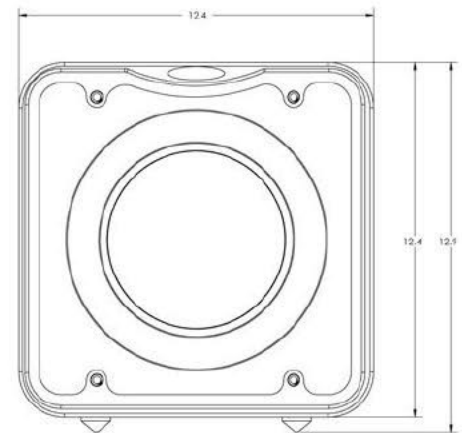
**The SubContractor Series Subwoofers — a sub for every situation.**

You'll be blown away by the *hidden thunder* of the SubContractor Series subs!



**S P E C I F I C A T I O N S**

<b>Model</b>	<b>SC-10 Subwoofer</b>
<b>Woofer</b>	10" forward firing (8" piston diameter)
<b>Frequency Response (+/-3 dB)</b>	24-120 Hz
<b>Harmonic Distortion</b>	<5% (typical)
<b>Magnet Structure</b>	346 oz. Ferrite (21.6 lbs)
<b>Voice Coil</b>	3" Dual Layer inner/outer wind
<b>Video Shielded</b>	Yes
<b>Dimensions (H/W/D) (inc. feet &amp; grille)</b>	12.9" x 12.4" x 9.3" (32.8 x 31.5 x 23.6 cm) *Allow 1-2 extra inches in depth for wire hookup.
<b>Cabinet</b>	Sealed enclosure
<b>Shipping Weight (approx.)</b>	36 lbs. (16.3 Kg)
<b>Room Volume Applicability (Calibrated for high-output bass performance)*</b>	Up to 2300 ft <sup>3</sup> : (1) SC-10 2301-2700 ft <sup>3</sup> : (2) SC-10s 2701-3100 ft <sup>3</sup> : (3) SC-10s 3101-3500 ft <sup>3</sup> : (4) SC-10s
*For more conservative listening, room size values may be increased.	



Copyright ©2010 Velodyne Acoustics, Inc. Specifications subject to change without notice. Other trademarks or registered trademarks are property of their respective owner. June 2010

**VELODYNE ACOUSTICS, INC.**

345 Digital Drive  
Morgan Hill, CA 95037  
408.465.2800

[www.velodyne.com](http://www.velodyne.com)

