

SPIRIT SERIES TAB TENSION Motorized Electric Projection Screen

MODEL ST

What is the Spirit Series Tab Tension?

The Spirit Series is an in-ceiling, motorized electric projection screen designed specifically for installations requiring a concealed in-ceiling projection screen on a tight budget. It offers a wider variety of projection materials than the Spirit Series Model SE. It is ideal for multi-usage environments such as hospitals, worship, conference, teaching, or training rooms where the screen needs to be hidden for aesthetic or functional reasons.

Experience Spirit

The Spirit is a series of in-ceiling electric projection screens designed for custom installation into a worship, classroom, or training room ceiling. The screen surface is tab-tensioned to completely eliminate edge curl. The tensioning can be easily adjusted to maintain perfect viewing tension.

The triangular weight bar at the bottom of the screen completely retracts into the case when it is not being used. This imitates the appearance of an expensive trap-door screen at a fraction of the price.

Smooth Operation

The Spirit can be operated in four convenient ways. A button on the case allows manual operation, the included plug-in IR receiver with remote allows semi-automatic operation, and the 5-12 volt trigger connection allows fully-automatic operation by synchronizing the screen operation with the power cycle of a compatible projector. RS-232 control also comes standard with all Spirit models.

The Spirit is equipped with a powerful motor that provides ultra-smooth, silent operation and is designed for extended durability and reliable performance.

Features

- Tab-tensioned viewing surface
- Recessed in-ceiling installation.
- Deluxe, ultra-quiet motor.
- Triangular weight bar closure.
- Multiple control methods.
- Custom sizes are available.

Material Choices

Cinema White (1.3 gain): A uniform viewing surface with true color reproduction.

Cinema Grey (1.0 gain): Provides higher contrast for rooms with ambient lighting - perfect for classrooms and conference rooms.

Acoustically Transparent (1.14 gain): Allows speakers placed behind the viewing surface without obstructing audio quality.

Rear Projection (1.0 gain): Perfect for applications where the projector will be behind the viewing surface.

SēVision 3D GX (2.2-2.4 gain): Severtson's advanced, water-based optical coating recommended for passive and active 3D projection.

Who We Are

Severtson Screens is a global leader in innovative and quality projection screens for the cinema, commercial, pro AV, and home theater markets.

For more information and current pricing, visit severtsonscreens.com/register





Reflect your BEST image



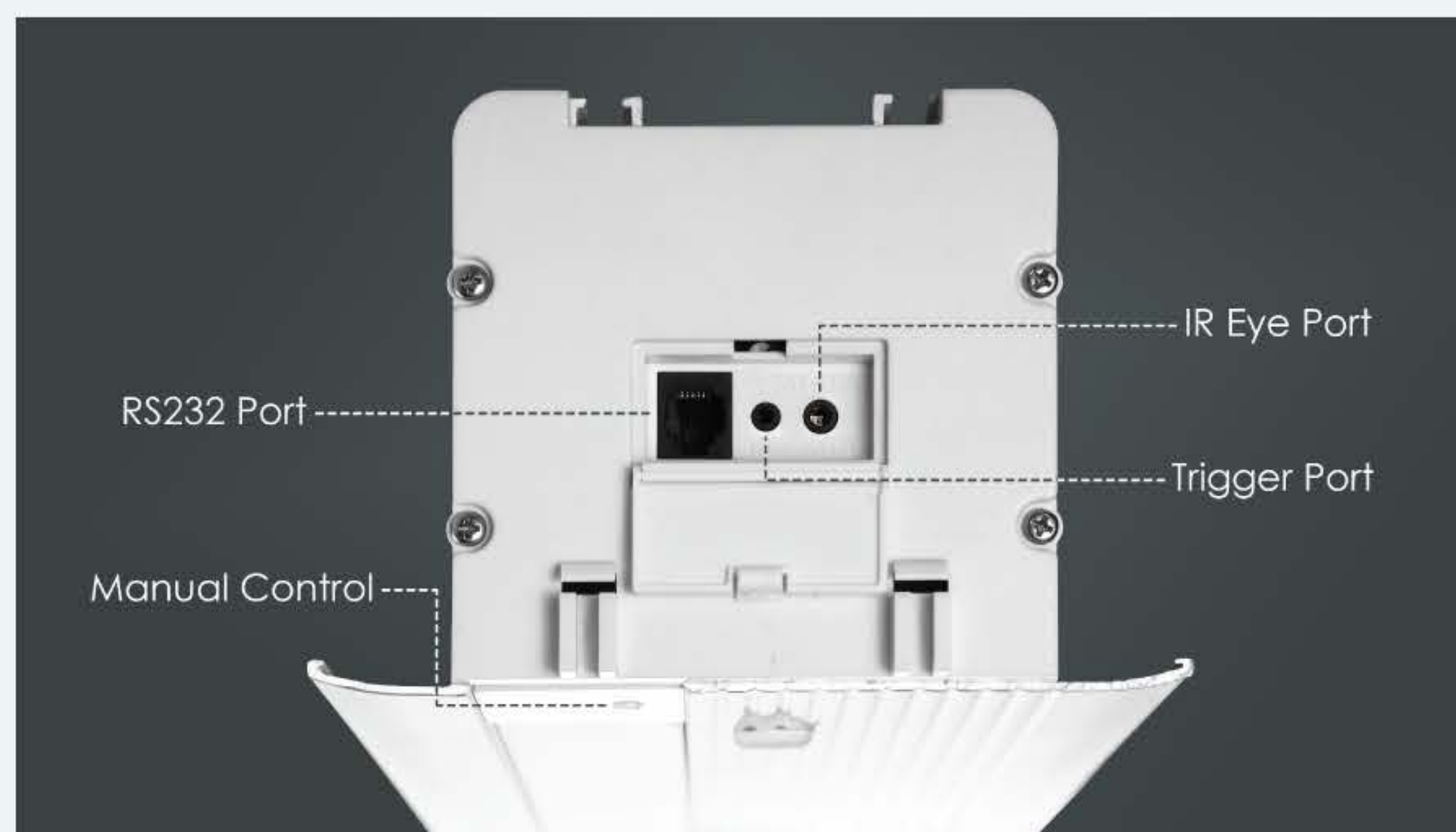
Spirit Series Tab Tension Motorized Electric Projection Screen

Recommended for
multi-use environments

Controls Included

- Manual control button
- IR Eye with extension cable
- IR Eye extension port*
- Wireless handheld IR remote control
- 12volt trigger connection by 3.5mm jack*
- Trigger cable
- RS232 control port*
- Power cable*
- Limit switch adjustment tool

*Located on the left side panel



16:9 (1.777) HDTV Aspect Ratio

Model	Viewing Diagonal	Viewing Area (W x H)	In-Ceiling Dimensions
ST169092	92"	79.875" x 45.125"	6.375" x 107.25"
ST169100	100"	87" x 49"	6.375" x 114.5"
ST169106	106"	92.125" x 51.875"	6.375" x 119.5"
ST169112	112"	97.375" x 54.875"	6.375" x 124.875"
ST169120	120"	104.5" x 58.875"	6.375" x 138.625"
ST169135	135"	117.875" x 66.25"	6.375" x 145.5"
ST169150	150"	130.375" x 73.5"	6.375" x 158.25"



Spirit Series completely retracts into the case while not in use.

16:10 (1.6) WidePC Aspect Ratio

Model	Viewing Diagonal	Viewing Area (W x H)	In-Ceiling Dimensions
ST1610094	94"	79.875" x 49.875"	6.375" x 107.25"
ST1610103	103"	87" x 54.5"	6.375" x 114.5"
ST1610109	109"	92.125" x 57.5"	6.375" x 119.5"
ST1610115	115"	97.375" x 61"	6.375" x 124.875"
ST1610123	123"	104.5" x 66.25"	6.375" x 138.625"
ST1610139	139"	117.875" x 73.625"	6.375" x 145.5"
ST1610154	154"	130.375" x 81.625"	6.375" x 158.25"



The tension setting can easily be adjusted to maintain perfect viewing tension.

Severtson Screens

216 S. Alma School Rd. Suite 3 Mesa, AZ 85210
Toll Free: 866-510-5155 • Phone: 480-610-5155 • Fax: 480-237-5964
sales@severtsonscreens.com

Visit Us Online

www.severtsonscreens.com
facebook.com/SevertsonScreens
twitter.com/SevertsonScreen