

PAG-UNV-HD

Arakno Heavy Duty Geared Projector Mount For Multimedia Projectors up to 100lb (45kg)

The Arakno Heavy Duty Geared Projector Mount is engineered for compact strength, with a capacity to hold a hefty 100-lb multimedia projector. While stout and sturdy in structure, this mount boasts premium adjustability and enhanced functionality. An integrated quick-connect mechanism makes projector attachment or removal easy, while its patented gear technology makes fine-tuning the projector image a cinch.



Max load: 100lb (45kg)

FEATURES

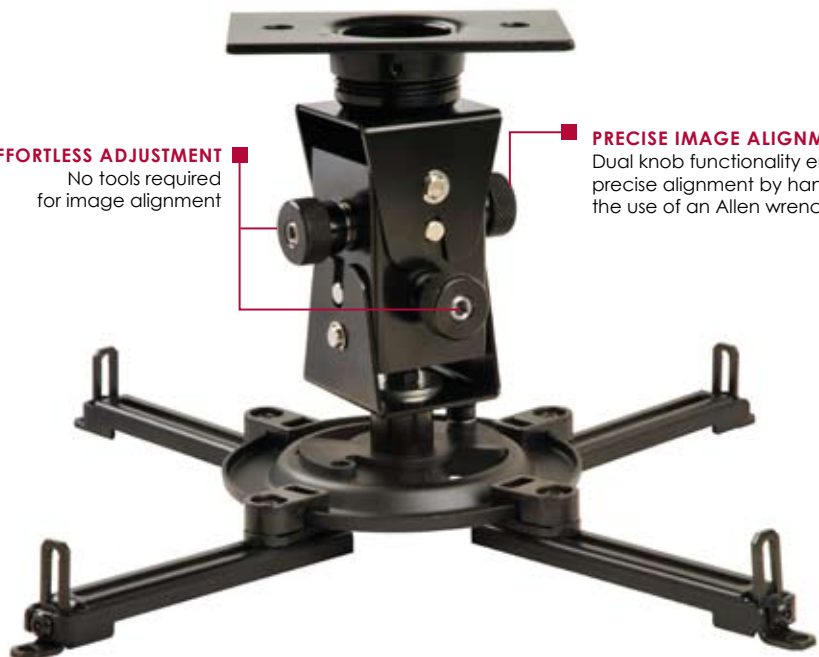
- Patented gear technology enables effortless adjustment to achieve precise image alignment
- Provides superior range functionality:
 - Tilt: $\pm 25^\circ$
 - Roll: $\pm 25^\circ$
 - Swivel: 360°
- Dual knobs design provide hassle-free method for adjusting the gears
- Quick-release mechanism to easily service projector
- Spider® Universal Adapter Plate extends up to 17.63" (448mm) to fit most projector models

EFFORTLESS ADJUSTMENT

No tools required for image alignment

PRECISE IMAGE ALIGNMENT

Dual knob functionality enables precise alignment by hand or with the use of an Allen wrench



UNIVERSAL COMPATIBILITY

Spider® Universal Adapter Plate boasts extendable mounting configuration for increased compatibility



All-in-one solution



Model Numbers

WARRANTY: Limited 5-year

PAG-UNV-HD: Arakno Heavy Duty Geared Projector Mount for projectors weighing up to 100lb (45kg)

Product Specifications

	DIMENSIONS (W x H x D)	PRODUCT WEIGHT	LOAD CAPACITY	FINISH	AVAILABLE COLORS
PAG-UNV-HD	8.50"-17.63" x 8.39"-9.39" x 8.50"-17.63" (216-448 x 213-239 x 216-448mm)	4lb (1.81kg)	100lb (45kg)	Power Coat	Black

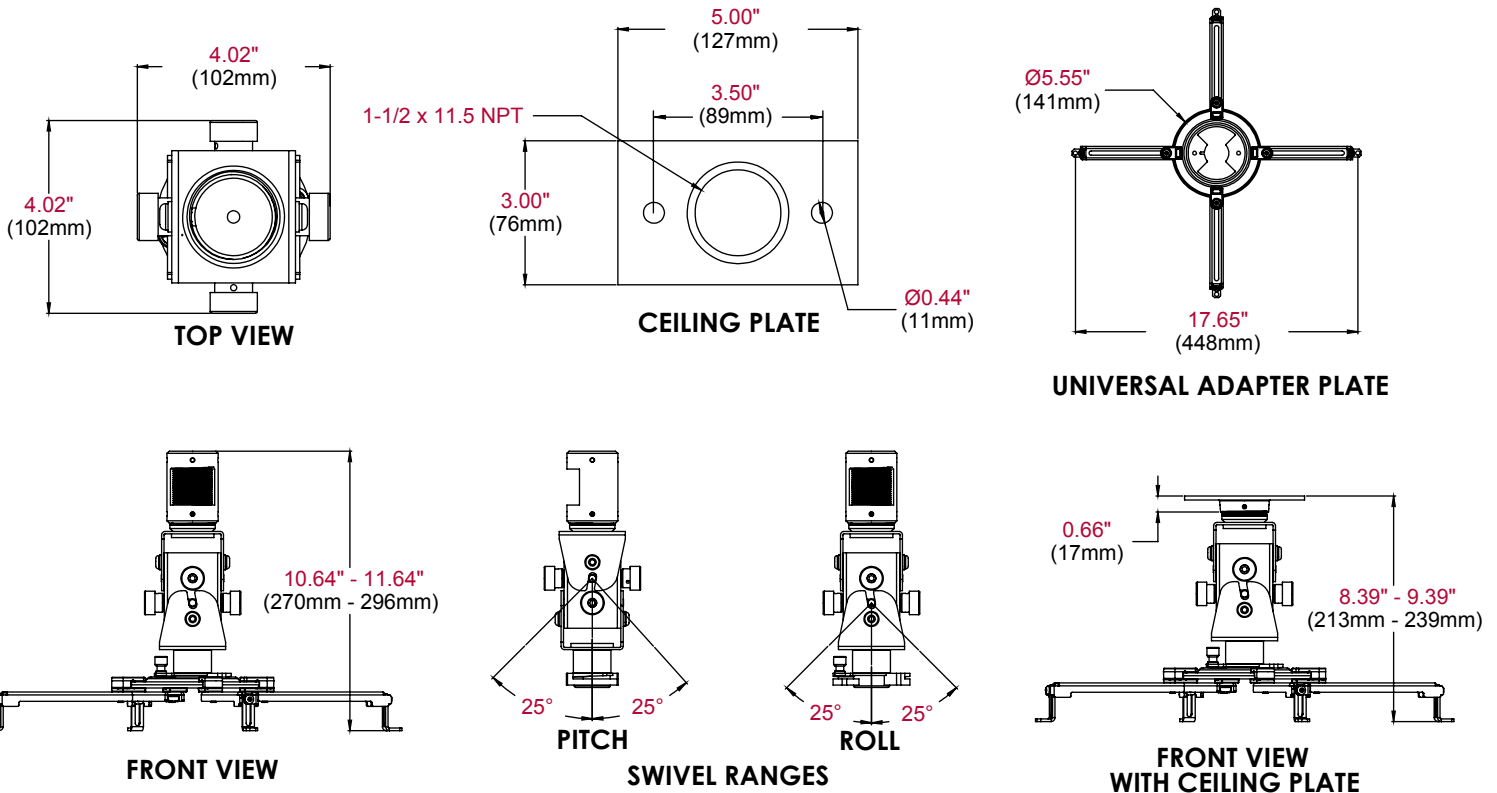
Package Specifications

	PACKAGE SIZE (W x H x D)	PACKAGE SHIP WEIGHT	PACKAGE UPC CODE	PACKAGE CONTENTS	UNITS IN PACKAGE
PAG-UNV-HD	9.31" x 4.25" x 12.62" (236 x 107 x 320mm)	6.2lb (2.81kg)	735029265030	Arakno Heavy Duty Projector Mount, Ceiling Plate, Threaded Coupler, Spider® Universal Adapter Plate, Mounting and Projector Attachment Hardware, Assembly Instructions	1

Accessories

CMJ Models, ACC570, ACC571, ACC912: Ceiling Kits
ACC840/845: Anit-Vibration Mount
AEC, ALU and EXT Models: Extension Columns
ACC830: Side-to-Side Adjuster
PWA14 & EXA/B: Wall Mount Arm
ACC050: Stability Kit

All dimensions = inch (mm)



ARCHITECTS SPECIFICATIONS

The mount shall be a Peerless-AV model PAG-UNV-HD and shall be located where indicated on the plans. The finish shall be scratch resistant black aluminum. Assembly and installation shall be done according to instructions provided by the manufacturer.

Peerless Industries, Inc. ■ 2300 White Oak Circle ■ Aurora, IL 60502 ■ (800) 865-2112 ■ (630) 375-5100 ■ Fax: (800) 359-6500 ■ www.peerless-av.com

Visit www.peerless-av.com to see the complete line of AV solutions from Peerless-AV, including flat panel mounts, projector mounts, carts/stands, furniture, cables, screen cleaners and a full assortment of accessories.