

JVC

LX-NZ3B/W

4K 3,000 LUMEN LASER DLP

So Easy. So Exciting. All the Time.



The JVC LX-NZ3 4K Laser HDR DLP Projector features an ultra-bright 3,000 lumen laser light source, and a compact design, making it ideal for a wide range of viewing environments. The latest auto-tone mapping technology insures that 4K HDR content is played back with the best picture quality every time.

- 3,000 Lumen BLU-Escent laser phosphor light source
- 2nd Generation .47" TRP DMD technology provides 4K (3840x2160) resolution
- Auto Tone Mapping for 4K HDR10 content
- HDR10/HLG Auto Select
- 100% REC 709 Colour Space (BT2020 compatible)
- Wide lens shift range (V +/- 60%, H +/- 23%)
- Lens: 1.6X Wide Zoom (1.36:1 - 2.18:1)
- ∞:1 Contrast with Dynamic Laser Dimming
- Five Mode HDR PQ Curves based on latest JVC D-ILA models
- 18Gbps HDMI/HDCP 2.2 Compatible Input (HDMI-1 only)
- Electronic Keystone +/- 30% (Vertical Only)
- Control: RS232/12V Screen Trigger Output
- Compact Design: 13 1/8" L x 15 7/8" W x 5 1/4" H, 13.89 lbs.
- 2 Year Parts & Labour Warranty

4K
UHD

DLP
TEXAS INSTRUMENTS

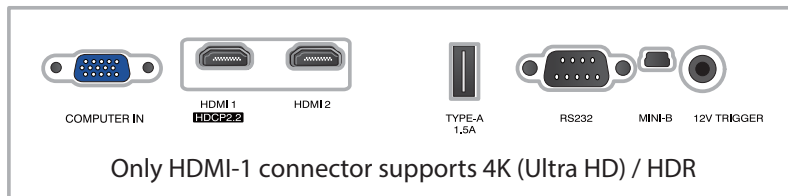
HDR
High Dynamic Range

BLU-Escent

Specifications

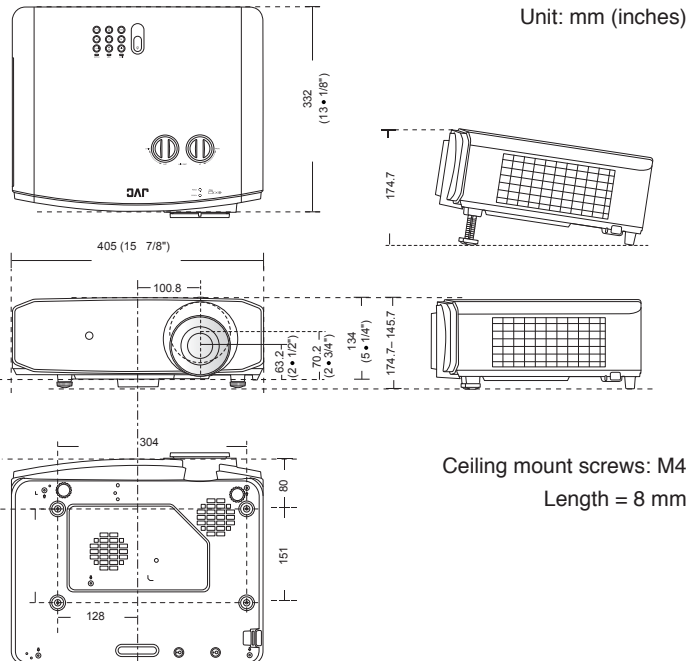
LX-NZ3B/W	
Imaging device	2 nd Generation 0.47 TRP DMD
Resolution	3840 x 2160 (TRP)
Brightness (Max)	3000 Lumens
Contrast Ratio	∞:1 (Dynamic)
Colour Space	100% of Rec. 709 (BT.2020 Compatible)
Light Source	BLU-Escent Laser Phosphor
Laser life	20,000 Hours (High Power Mode)
Lens	1.6X (Manual Zoom & Focus)
Throw Ratio	1.36:1-2.18:1
Lens Shift	(V +/- 60%, H +/- 23%)
HDR	Yes (HDR10 w/Auto Tone Mapping, HLG)
Terminals	HDMI x2, Max. Resolution 3840 X 2160 4K 60p (4:4:4 8 bit/4:2:2 12 bit, HDCP 2.2), HDMI-1 Only, Computer In, USB Mini-B (Service), RS232, USB Type A (Power Supply), 12V Trigger
Dimensions (WxHxD-inches)	15 7/8 x 13 1/8 x 5 1/4 (with feet & lens)
Weight (net) (lbs)	13.89

Connectors



External Dimensions

405 mm x 332 mm x 134 mm (15 • 7/8" x 13 • 1/8" x 5 • 1/4") (W x D x H)



Key Features

BLU-Escent Laser Phosphor Light Source

A blue laser and a yellow phosphor panel replace the traditional projector lamp assembly. The benefits include 3,000 lumens brightness, 20,000 hours long life in the highest power laser setting, and laser dimming for infinite contrast.

2nd Generation .47" TRP DMD Device

DMD (digital micromirror device) is a digitally controlled micro-opto-electromechanical system (MOEMS) spatial light modulator (SLM). When coupled to an appropriate optical system, the DMD displays a very crisp, high resolution image or video.

HDR10 plus Hybrid Log-Gamma

The LX-NZ3 impresses with Auto Select for HDR10 & HLG and Auto Tone Mapping, using 5 different PQ curves derived from JVC's D-ILA projector line. The projector can display Max CLL/Max FALL information for advanced adjustment.

General Cinema Image



HDR Compatible Image



Throw Distance

Screen size Diagonal (inch)	Size of projected image				Throw Distance (16:9)			
	Height		Width		Wide		Tele	
	inch	cm	inch	cm	inch	cm	inch	cm
95	47	118	83	210	112	285	180	456
100	49	125	87	221	118	300	189	480
120	59	149	105	266	142	360	227	576
150	74	187	131	332	177	450	283	720
180	88	224	157	398	213	540	340	864
200	98	249	174	443	236	600	378	960

Notice — Specifications subject to change without notice.

Copyright © 2019, JVCKENWOOD Corporation. All Rights Reserved.

JVCKENWOOD

jvc.ca