

JVC

DLA-25LTD

8K Home Theater Projector

8K
e-shiftX

8K. LASER. HDR. The ART of PROJECTION

25th Anniversary Limited Edition 8K Input Home Theater Projector

25th
ANNIVERSARY
D-ILA



8K. LASER. HDR. The ART of PROJECTION

The DLA-25LTD Anniversary Edition is the world's first home theater projector to combine an 8K input with pixel perfect, fully addressable 8K resolution. 8K in. 8K out. The BLU-Escent laser light engine delivers an impressive 3,000 lumen brightness. This premium, custom install projector is built with hand-selected components. A high resolution, all glass, 100mm diameter lens with a full aluminum lens barrel is matched with a high contrast optical block. Add D-ILA imaging chips, HDR10+, Filmmaker Mode and Frame Adapt HDR for the absolute best home theater image available today.

KEY FEATURES

- 25th Anniversary badging and cosmetics
- Includes 25th Anniversary D-ILA plaque
- 3,000 Lumen BLU-Escent Laser Phosphor Light Engine
- Pixel Perfect 8K e-shiftX (4-Way/Multi-Axis Shift) yields 8,192 x 4,320 projected image
- Premium 100 mm all-glass lens w/ 2X zoom, 100% vertical/43% horizontal shift
- High Contrast Optical Block
- Two 48Gbps HDMI /HDCP 2.3 inputs (8K/60P & 4K/120P)
- 150,000:1 Native Contrast, Infinite Dynamic Contrast
- Frame Adapt HDR Dynamic Tone Mapping w/Theater Optimizer
- HDR10+, Filmmaker Mode
- Wide Color Gamut w/Cinema Filter (Over 100% DCI P3)
- Built with Hand Selected Components
- 0.69 inch Native 4K D-ILA Devices (x3)
- Installation Mode with 10 memories, Anamorphic Scaling
- ISF (Imaging Science Foundation) Licensed plus JVC Auto Calibration
- Clear Motion Drive w/Motion Enhance
- Multiple Pixel Control (MPC) — MPC works with 8K60P (4:4:4) signals
- Low Latency Mode improves picture, speeds operation, and reduces gaming/PC frame delays
- Control: Control4 SDDP / LAN / RS-232C / IR / 12V Screen Trigger Output / 3D Sync Output
- 5 Year Warranty / Made in Japan

REFERENCE SERIES

D-ILA

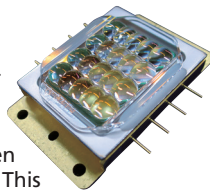
ISF[®]
ccc

HDR10+



3,000 Lumen BLU-Escent Laser

JVC's new 3rd generation "BLU-Escent" Laser Phosphor light engine uses blue laser diodes, an inorganic yellow phosphor and JVC's proprietary color management system. "BLU-Escent" enables 3,000 lumen light output and 20,000 hour long life illumination. This new design is more compact, with higher output, greater efficiency and quieter operation, making it the best solution for demanding home theater installations. Increased brightness ensures compatibility with larger screen sizes, and improved HDR performance. This brings greater depth, added dimensionality, and infinite dynamic contrast to home theater screens.

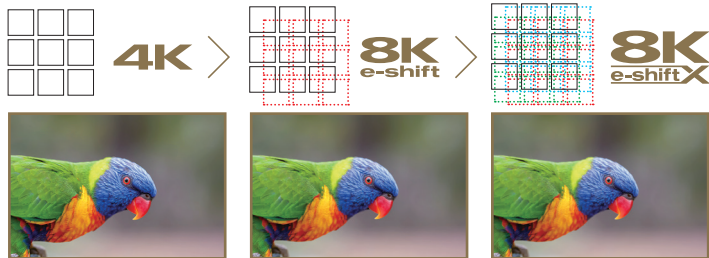


8K In... Dual 48Gbps HDMI w/ HDCP 2.3 Inputs

JVC is proud to introduce the world's first home theater projectors with 8K/60P inputs. This latest connectivity standard offers dual 48Gbps HDMI inputs with HDCP 2.3. In addition, 4K/120P input is supported for the newest generation video content, including the latest gaming platforms.

8K Out... 8K e-shiftX Technology

JVC's new 8K e-shiftX delivers pixel perfect 8K resolution with over 35 million individually addressable pixels. JVC achieves this with proprietary technology that uses a 240hz driver along with 4-way, multi-axis shift to flash the screen four times to create each full frame of 8K video for true 8K in, 8K out.



See how the native 4K image becomes sharper with 8K e-shift processing, and as if it is alive with 8K e-shiftX processing.

An Incredible Lens Goes Further, to 8K. Now with a High Contrast Optical Block

The DLA-25LTD is equipped with a high resolution 18 element, 16 group all glass lens with full aluminum lens barrel. To deliver high resolution to every corner of the screen and ensuring a wide shift range of



High-quality 18-element, 16-group 100-mm glass lens with a full aluminum lens barrel.

+/-100% vertical, +/-43% horizontal, a 100mm diameter lens has been selected. Five special low dispersion lens accommodate the different refractive index of Red, Green and Blue to suppress chromatic aberration, color bleeding etc., faithfully reproducing 8K resolution.

Projection optics is more than just the lens. The new High Contrast Optical Block compliments JVC's D-ILA technology and our legendary commitment to the best contrast, black level and brightness.

Frame Adapt HDR w/Theater Optimizer

The DLA-25LTD is compatible with HDR10 content such as UHD Blu-ray and streaming. Color grading of HDR content can vary dramatically. Frame Adapt HDR dynamically tone maps all HDR10 content for optimized brightness, color and detail on a frame by frame or scene by scene basis. With Theater Optimizer, JVC has created the world's first projector that automatically fine tunes HDR based on installation characteristics, and projector settings.



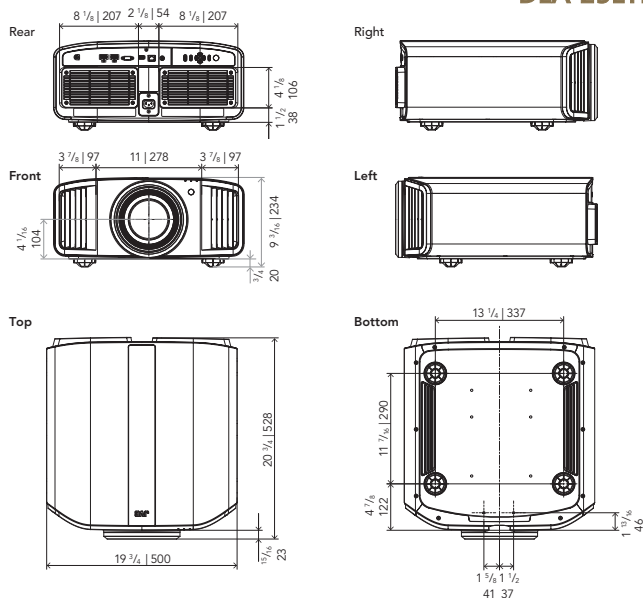
JVC projectors featuring Frame Adapt HDR and Theater Optimizer can express HDR content at optimum brightness and darkness in each frame as the creator intended.



JVC is proud to add HDR10+ support, which offers dynamic tone mapping for 4K HDR Blu-ray & streaming content that is true to the director's intent.

External Dimensions (unit: inches/mm)

DLA-25LTD



- Design and specifications are subject to change without notice.
- All pictures on this brochure are simulated.
- HDMI, the HDMI logo and High-Definition Multimedia Interface are registered trademarks of HDMI Licensing LLC.
- All other brand or product names may be trademarks and/or registered trademarks of their respective owners.
- Any rights not expressly granted herein are reserved.

Copyright © 2021, JVCKENWOOD Corporation. All Rights Reserved.

Optional Equipment



PK-AG3
RF 3D Glasses
Battery-operated



PK-EM2
RF 3D Synchro
Emitter

Specifications

DLA-25LTD	
Device	0.69 in D-ILA Device (4096 × 2160) × 3
e-shift	8K e-shiftX (4-direction shift)
Display Resolution	8192 x 4320 Precision via 8K e-shiftX technology
Lens	2x Motorized Zoom & Focus, All-glass Lens 100 mm diameter
Lens Shift	Vertical/Horizontal (motorized), in 16:9 aspect ratio) ±100% / ±43%
Projection Display Size	60 inch - 300 inch diagonal
Light Source	BLU-Escent Laser Diode
Brightness	3,000 lm
Contrast Ratio	Native: 150,000:1 Dynamic: ∞:1
DCI-P3 Colour Gamut	100%
Input Terminals	HDMI 2 (48Gbps, HDCP2.3, no support for CEC)
	Trigger 1 (Mini Jack, DC12V/100mA)
Output Terminals	3D Synchro 1 (Mini-Din 3pin)
	RS-232C 1 (Dsub 9pin)
Control Terminals	LAN 1 (RJ-45)
Service Terminals	SERVICE 1 (USB Type A, for firmware update)
Power Consumption	Projector in use 440 W
	Standby Eco-mode: 0.3 W
	Networked standby 1.5 W (LAN)
Fan Noise	24 dB (In Low Mode)
Power Requirement	AC100-240 V, 50/60 Hz
Dimensions	(WxHxD-inches) 19 3/4 x 9 3/16 x 20 3/4
Weight (net)	(lbs) 55.77