

**Audio \ Video \ IR Baluns**  
 Sold in Pairs

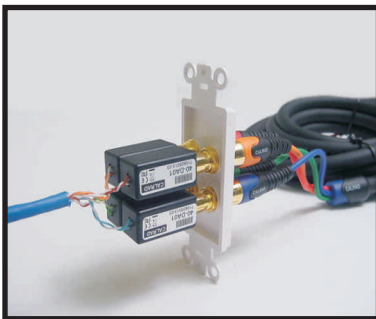
## 40-DA01

**Passive Balanced Signal Converter  
 Using UTP Cat5/Cat6 Cable  
 For Use With  
 Component \ Composite Video,  
 Digital \ Analog Audio,  
 Remote Control IR Signals**

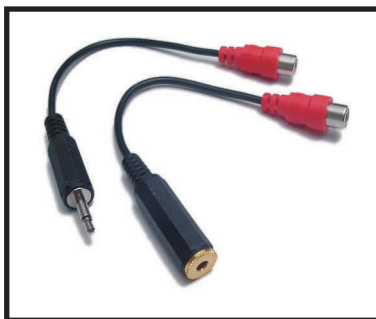
Calrad's 40-DA01 Flexible Balun system provides a low cost and versatile interface option for using inexpensive UTP Cat5e cabling. Specialized circuitry is used to deliver a mixture of Video, Audio, IR signals. Small plastic modules with RCA male plug to Screw type 2 conductor terminal blocks for easy wire termination. Passive bi-directional signal design.

### Applications

1. Component Video, Digital Audio
2. Four Analog Audio Channels
3. Four CCTV Video Feeds
4. Composite Video, L+R Audio, Digital Audio
5. IR Signal distribution

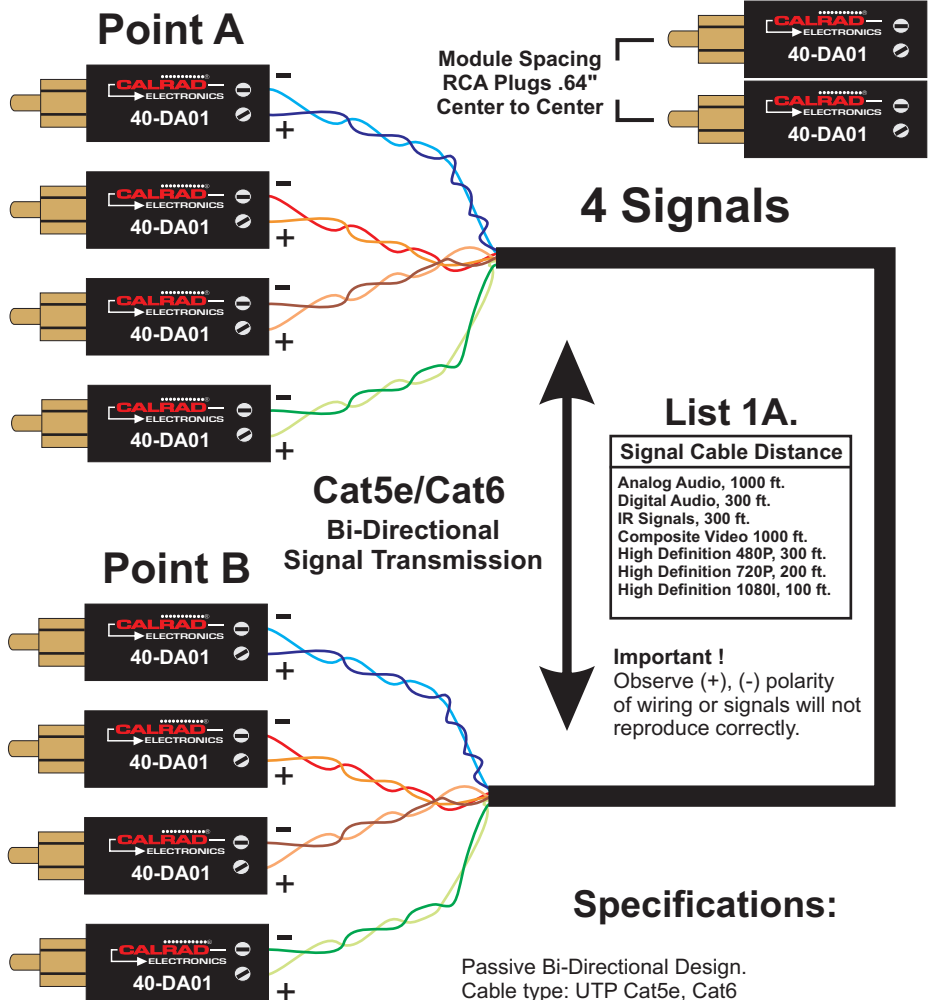


The above image shows Component video with digital audio in a single decora wall insert. Use Calrad wall plates for In-wall termination works with standard and keystone wall-plates.



### 40-DA01-IR (IR Interface Kit)

Provides easy interface between IR emitters and emitter blocks. 1 - 3.5mm male plug to RCA female jack, 1 - 3.5mm Female -in-line jack to RCA female jack.



### Specifications:

Passive Bi-Directional Design.  
 Cable type: UTP Cat5e, Cat6  
 Cable Distance: See List 1A.  
 Bandwidth: DC to 50Mhz, DC passive  
 Connectors: RCA Male Plug  
 Signal Types: Audio \ Video \ IR Signals  
 Housing Material: Plastic, Color: Black  
 Dimensions: 1.32"(L) x .6"(W) x .6"(H)

# CALRAD

## 95 Series - A/V Baluns & Security Accessories

Detailed specifications are available for these products upon request.

### 95-1035

#### 4-WAY AUTO SWITCHER

Auto-switch from 1-4 cameras, channel bypass, 2 monitor outputs, adjustable duty time. Audio and video input/outputs. On-screen programming. IR remote control (optional). Includes 12Vdc, 300mA power supply. Size: 12"(L) x 4.72"(W) x 1.6"(H).



### 95-1035R

Infrared remote control for the 95-1035.

### 95-1041 VIDEO BALUN CAT-5 CABLE SYSTEM

Balanced video RJ45 to unbalanced male BNC adapter. Transmit a color video signal up to 1000' using industry CAT-5 networking cables with RJ45 connectors. Includes CAT 5 RJ45 male to 2 screw terminal adapter. The advantages of this type of system are clear video signal, fewer cables to manage, lower cost per connection, centralized wiring for greater control. Video bandwidth 12MHz. Two units required for transmission and reception of balanced signals.

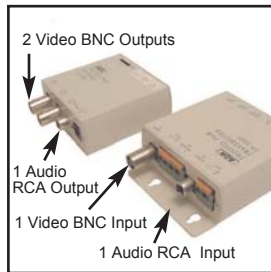
Size: .76"(W) x .9"(H) x 2"(D).



### 95-1043 3/4 MILE LONG DISTANCE TWISTED PAIR, CAT-5 A/V SYSTEM

For CCTV or any composite video and mono audio signals in need of long cable runs. Converts unbalanced video and audio to a balance system using CAT-5 cable. A pair of wires are also dedicated for security alarm applications. Selectable switch setting for cable length. A remote DC power supply also provides power for 12Vdc color or b/w cameras. Includes 24Vdc 500mA regulated power supply.

Size: 2.8"(W) x 1.1"(H) x 3.2"(D).



### 95-1040 RCA Composite Version

### 95-1045 SVHS Version

#### AUDIO & VIDEO BALUN CAT-5 CABLE SYSTEM

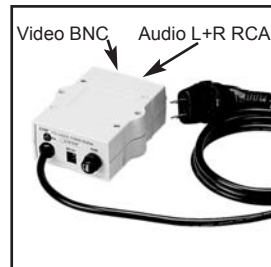
Transmit stereo audio and 1 color video signal up to 1000' using CAT-5 networking cables with RJ45 connectors. The advantages of the system are: clear video signal, fewer cables to manage, lower cost per connection, centralized wiring for greater control. Use different CAT-5 wire to identify each signal source. Video bandwidth 12MHz, audio 20Hz-15KHz. Two units required for transmission and reception of balanced signals.

Size: 2.2"(W) x 1"(H) x 3.5"(D). Comes with BNC to RCA Adapter



### 95-1042 A/V BALUN CAT-5 CABLE SYSTEM

Transmit stereo audio and 1 color video signal up to over 1000' using CAT-5 networking cables with RJ45 connectors. The advantages of the system are: clear video signal, fewer cables to manage, lower cost per connection, centralized wiring for greater control. Use different CAT-5 wire to identify each signal source. Built-in 12Vdc power supply for CCTV cameras. Video bandwidth 12MHz, audio 20Hz-15KHz. DC output 12Vdc, 500mA. Size: 3"(W) x 1.6"(H) x 2"(D). Operates on 117Vac.



## HDTV Video Baluns

### 95-1044-BNC BNC RGB

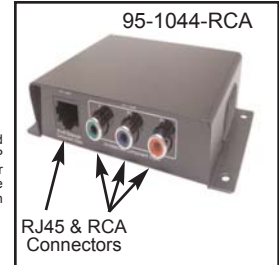
### 95-1044-RCA RCA Component

### 95-1044-VGA Video Graphics Array RGB/COMPONENT VIDEO BALUN CAT-5 CABLE SYSTEM

Video (RGB) adapter is designed to convert Red, Green and Blue (RGB) video monitor signals to transmit over CAT-5 UTP cable. Unit has an internal impedance matching device and filter up to 1000 ft. for video signal transmission over UTP cable. Use you existing CAT-5 premises wiring for all new video installation and changes. Color: black. Size: 2.2"(W) x 3.5"(L) x 1"(H).

#### Specifications

Interface video (R)..... One BNC or RCA female for RED signal  
Interface video (G)..... One BNC or RCA female for GREEN signal  
Interface video (B)..... One BNC or RCA female for BLUE signal  
Interface UTP..... One RJ-45 for RGB signal  
RJ-45 pair 4 (pin 7, 8)  
RED signal Impedance video.....75 ohm unbalanced  
RJ-45 pair 3 (pin 3, 6)  
GREEN signal Impedance RJ-45.....100 ohm balanced  
RJ-45 pair 2 (pin 1, 2)  
BLUE signal video bandwidth.....DC to 30MHz



RJ45 & RCA Connectors

95-1044-VGA detailed specifications available upon request

### 95-455 INFRARED & MICROWAVE DUALTEC MOTION DETECTOR

Our most advanced motion detector using an infrared sensor to pickup thermal energy and a microwave detector to detect physical motion. This detector incorporates a new sensing circuit to process both technologies to provide a reliable triggering sensor for security systems. Features Microwave/PIR technology, single edge PIR triggering and L.E.D. indicators for IR detection, microwave detection, and alarm triggering. Operates from 6-15Vdc, current draw 35mA. N/C dry contacts 28Vdc, 125mA. Protection coverage 35' long x 35' wide. Color: white.



### 95-960 TWIN PHOTOBEAM DETECTORS

Fixed dual beam infrared pulsed perimeter detectors. Range 320' indoors, 160' outdoors. Excellent immunity to freezing, snow, rain, fog, and other bad weather conditions. Antifrost design, operates with frost or dew without false alarms. Interruption time adjustable for nearly all situations. N/C tamper switch included. Power input 10-24Vdc.



### 95-460 IR SENSOR WITH PULSE COUNT

Small compact infrared sensor is perfect for all applications commercial or residential. Stable circuitry for reliable operation. Optional brackets for multi-angle mounting on ceilings or walls. Available in form C relay for normally open, normally closed applications. Tamper switch provided, 35' x 35' coverage. Operates on 12Vdc.



### 95-464 DUAL GLASS BREAK DETECTOR

This sensor is used to protect areas which conventional sensors that have to be attached to each window, but this unit covers a specific area and uses a dual sensing technology to protect a larger area. The flex audio technology is sensitive to different frequencies. Ultra low end types generated by hard sharp blows to glass windows. The unit remains off until flex technology detects a blow to the glass. For an alarm condition to occur the audio must first detect the frequency of breaking glass within a defined time window. After the flex detects a blow to the glass, because both technologies must detect and verify glass breakage, false alarms are virtually eliminated. Indicator LED's provide visual indicators for various functions. Operates on 12Vdc.

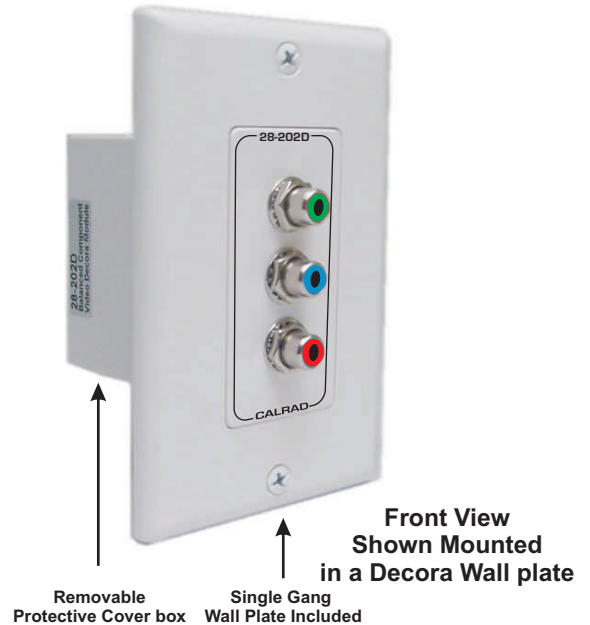
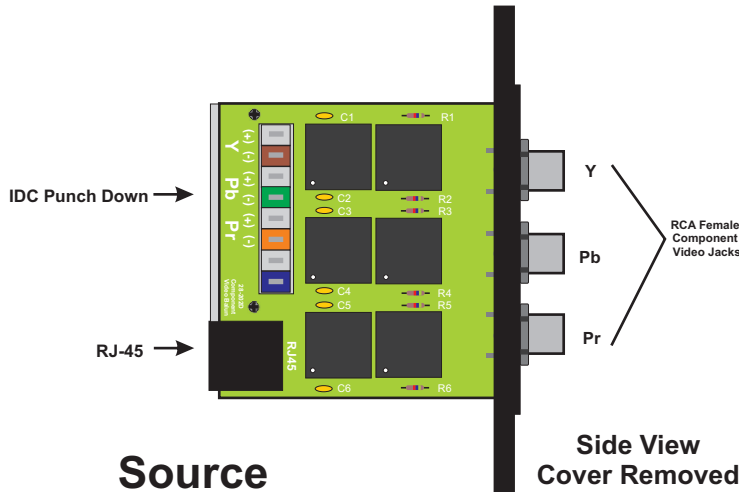




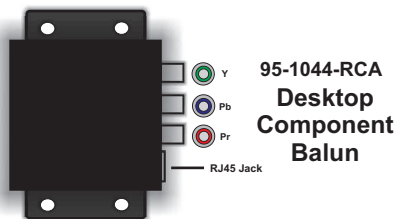
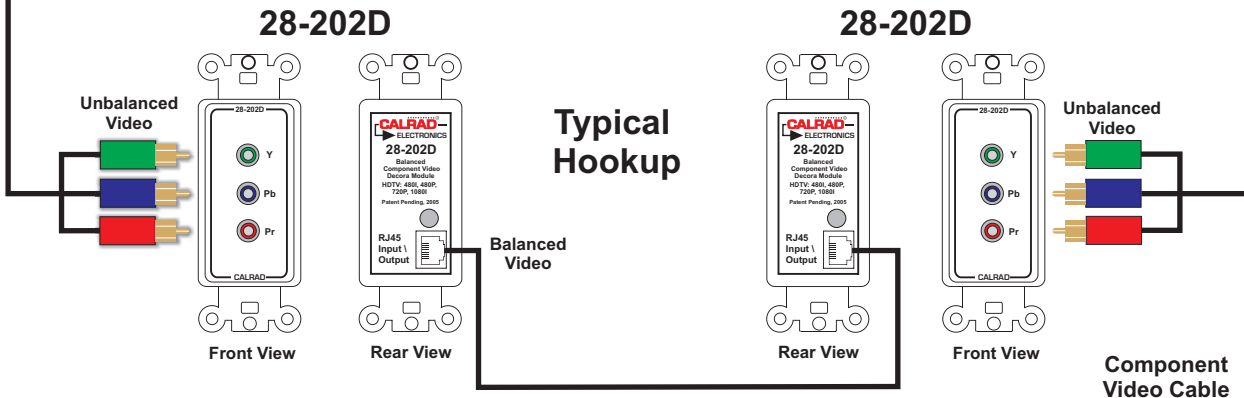
819 N. Highland Ave.  
Los Angeles, CA 90038

Tel: (323) 465-2131, Fax: (323) 465-3504  
Visit us on the web at [www.calrad.com](http://www.calrad.com)

## Part No: 28-202D Decora Component Video Balun



**Source**  
480I, 480P, 720P, 1080I  
HD Satellite Receiver,  
Digital STB, DVD Player, PC



Cat5, Cat5e UTP Cable  
(480I, 480P= 300 Ft.)  
(720P= 200 ft.)  
(1080I=100 ft.)

**HD Monitor**



**Mix and Match Decora or Desktop Models**

### Features

- Passive design no power required
- RJ45 or Punch down IDC termination
- Works with Cat5 and Cat5e UTP cable
- Cable distance equalizer circuit
- Mates with Calrad 95-1044-RCA desktop Balun unit

### Specifications:

Frequency Bandwidth: 480I, 480P, 720P, 1080I  
Depth Front to Back: 2.5 inches  
Front Connectors: Female RCA, Y=Green, Pb=Blue, Pr=Red  
Rear Connectors: 1 x Female 8 position RJ45 jack, 1 x IDC Punch 8 position punch down Block

All specifications subject to change without notice, Calrad 2005