

CAT5 DISTRIBUTION UTP BALUN



 **NEW**



high
definition
distribution

CAT5 UTP Balun Transformer

Distribute a high definition component video/digital audio source to a remote location over extended distances using economical CAT5 cable.

- Uses standard CAT5 or CAT6 cable
- Can be used with four composite video channels and mono analog audio
- Four RCA connectors for component video and digital SPDIF audio
- Heavy gauge steel, powder-coated chassis, is corrosion and scratch resistant



CABLE ELECTRONICS, INC.

3209 Wood Drive
Garland, Texas 75041

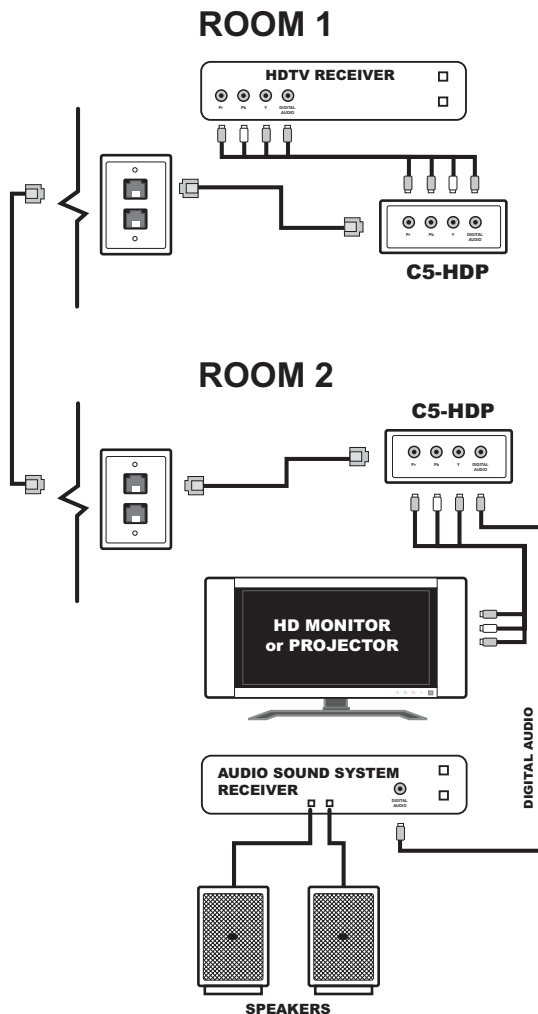
www.celabs.net

Call **1.800.767.6189** or **469.429.9200**

high definition distribution, CAT5

UTP Balun Transformer

Distribute a high definition component video/digital audio source to a remote location over extended distances using economical CAT5 cable.



Video

Nominal Input Level: 1 Volt peak to peak

Gain: N/A (passive unit)

Input Impedance: 75 ohms, Unbalanced

Output Impedance: 100 ohms, Balanced

Isolation port to port: > 60 dB

Isolation out to input: Bidirectional

Return loss: > 15 dB

Video bandwidth: > 35 MHz

Audio (Digital & Analog)

1 Audio Channel Available: It may be used to transport a SPDIF digital audio signal or a mono audio signal (mono analog signal will be attenuated slightly due to lower impedance of the digital audio channel).

Distance

The adapter provides a minimum of signal loss and may be used for high definition distribution with cable lengths up to 200 feet typically with no monitor adjustment.

Composite video picture quality is excellent in excess of 750 feet. When used in security applications, a monochrome picture will work in excess of 1500 feet.

Power

Requirement: No power required