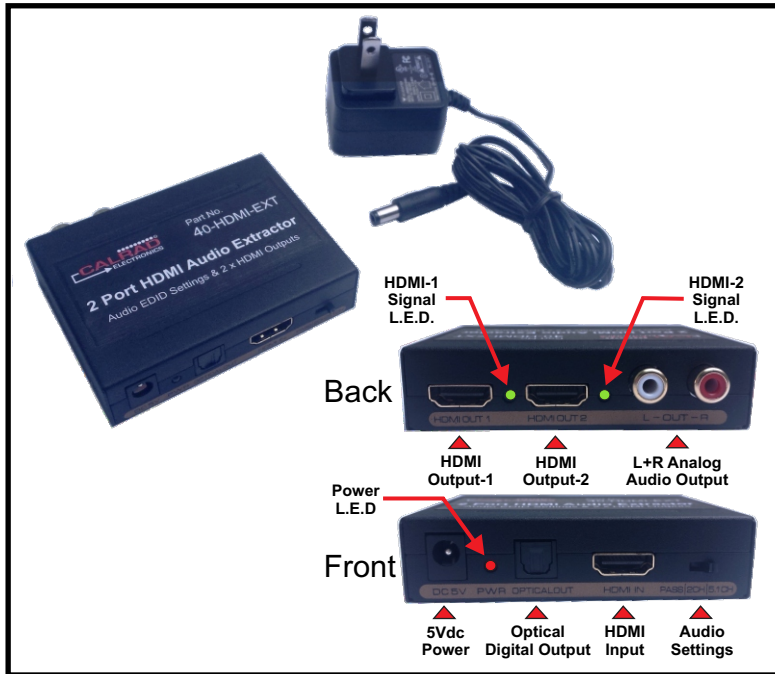


For technical assistance call: 323-465-2131



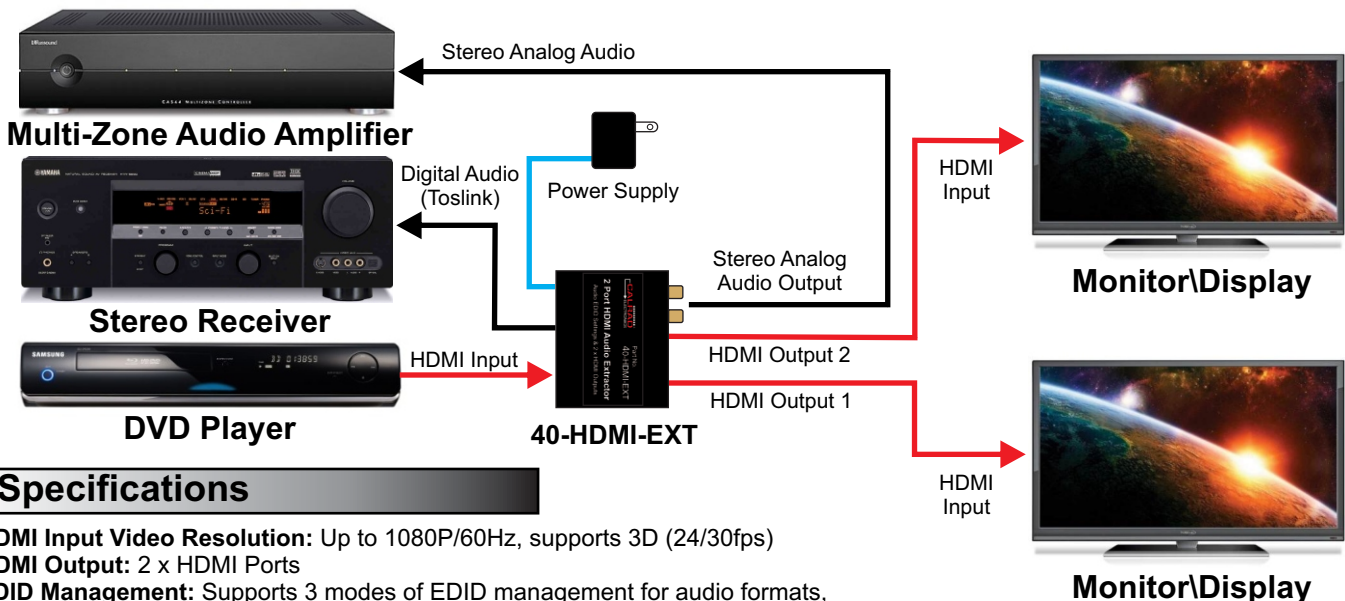
40-HDMI-EXT 1 x 2 HDMI Splitter With Digital, Analog Audio Extractor

3D
Compliant

Description

The Calrad 40-HDMI-EXT HDMI is designed to extract HDMI audio from HDMI signals. Decodes audio to analog 2-channel stereo or to Toslink digital S/PDIF providing multichannel audio up to 5.1. Perfect for Apple TV, Google Chromecast, Xbox One, PS4, Sonos Speaker systems or other HDMI sources, providing a simple method to extract audio from HDMI sources and deliver it to a multi-zone audio system or to a AV receiver without the need of connecting to a TV/Display to hear the audio. Decode audio without HDMI-1, HDMI-2 outputs connected to displays. Built-In 2 Port HDMI splitter.

Typical Hookup



Specifications

- HDMI Input Video Resolution:** Up to 1080P/60Hz, supports 3D (24/30fps)
- HDMI Output:** 2 x HDMI Ports
- EDID Management:** Supports 3 modes of EDID management for audio formats, can switch among built-in EDID (2/5.1CH) and external EDID (TV)
- HDMI Signal L.E.D.'s:** 2 x Green L.E.D.'s when signal is connected
- Audio Output:** Supports SPDIF digital audio format: Dolby digital (AC3), DTS, LPCM, and support 5.1CH, 24-bit/192kHz DAC
- L.E.D. Indicators:** 1 x Power (Red), 2 x HDMI Signal (Green)
- Power Supply:** 5V DC/1A power adapter
- Size:** L-3.32" x W-2.45" x H-.82"
- Color:** Black

Apple is a registered trademark of Apple Inc.

40-HDMI-EXT-10252015-WB

www.calrad.com