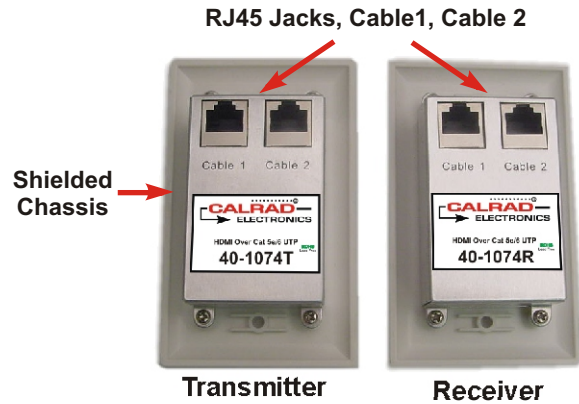
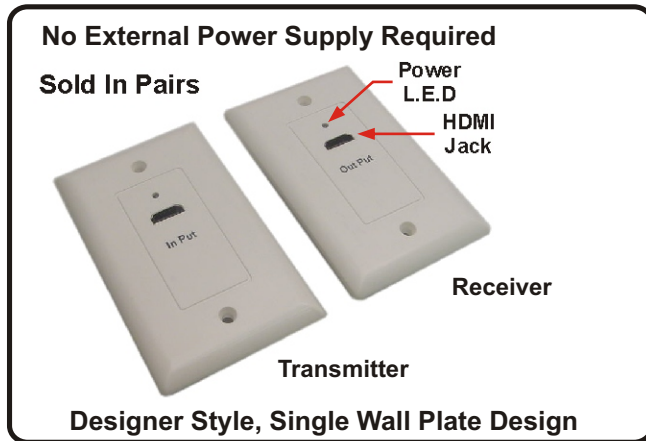


**CALRAD**  
ELECTRONICS

819 N. Highland Ave.  
Los Angeles, CA 90038

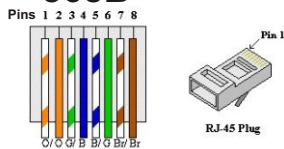
Tel (323) 465-2131, Fax (323) 465-3504  
Visit us on the web at [www.calrad.com](http://www.calrad.com)

**Part No. 40-1074**  
**Active Wallplate Balun,**  
**HDMI over 2 Cat5e/Cat6 Cables**

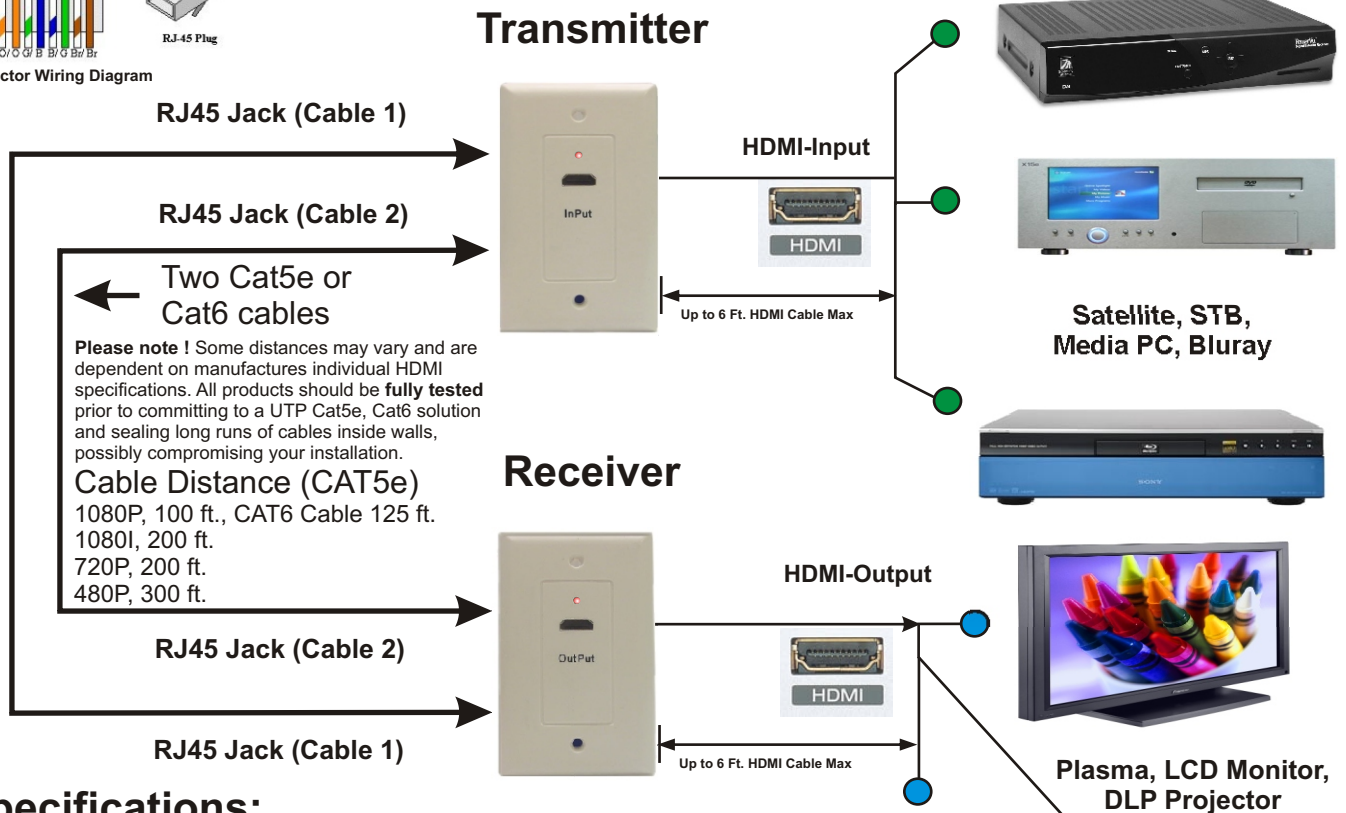


Rear View

**568B** Wire Start to Finish 568B



Connector Wiring Diagram



Please note ! Some distances may vary and are dependent on manufactures individual HDMI specifications. All products should be **fully tested** prior to committing to a UTP Cat5e, Cat6 solution and sealing long runs of cables inside walls, possibly compromising your installation.

**Cable Distance (CAT5e)**  
1080P, 100 ft., CAT6 Cable 125 ft.  
1080I, 200 ft.  
720P, 200 ft.  
480P, 300 ft.

**Specifications:**

HDTV Resolutions: 480P, 720P, 1080I, 1080P (Max 10.2Gbps, HDMI 1.3b)  
HDMI In/Out Connectors: 19 pin Female Jacks, 2 x RJ45 Shielded Jacks each unit.  
Operating Temperature: 0-70 degrees C  
Housing: Plastic, White Color  
Weight: .15 lbs. ea.  
Dimensions: Transmitter / Receiver: L-4.5" x W-2.75" x D-1.25"