


CAT6 550MHZ 23AWG, STP, 4 PAIR, SOLID 1000' WOODEN SPOOL

PART NUMBER:
062-503/S/BK



PG. 1	<input type="checkbox"/> APPROVALS:	<input type="checkbox"/> DATE:	THE INFORMATION CONTAINED IN THIS DOCUMENT IS PROPRIETARY TO VERTICAL CABLE AND MAY NOT BE DISCLOSED OR TRANSMITTED TO ANY OTHER PARTIES WITHOUT THE EXPRESS WRITTEN PERMISSION OF VERTICAL CABLE. THIS INFORMATION IS PROVIDED FOR THE PURPOSES OF QUOTATION ONLY. 
	MARKETING		
	TECHNICAL		
	SALES		
	FINAL		

GENERAL INFORMATION ABOUT THIS PRODUCT:

MANUFACTURER:

REFERENCE: 062-503/S/BK

DESCRIPTION:

Category-6 STP 1000' 8-Conductor, Bulk, Black-PVC Jacket, (FTP) Shielded AWG23 Solid-Bare Copper, Wooden Spool (UL/ETL)

ACCESSORIES INCLUDED WITH THIS PRODUCT:

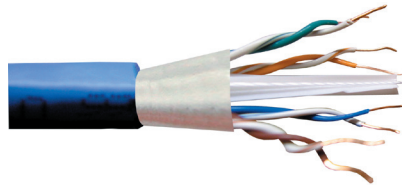
NONE

FEATURES AND BENEFITS:


- High-Performance Data Communications Cable for Noisy Environment
- Suitable for 550MHz High-Speed Data Applications, Gigabit Ethernet, Fast Ethernet and 155Mbps TP-PMD/CDDI
- Designed for Indoor Installations (CMR) Riser
- Category-6 Shielded Twisted Pair (STP) Cable
- 4-Pair – Easily Identified Color-Striped Pairs
- 23AWG Solid Bare Copper Conductors
- Excellent Attenuation and Crosstalk Characteristics
- Exceeds EIA/TIA 568 B.2-1, UL, CSA and ISO/IEC 11801 specifications
- UL/cUL or ETL Listed
- Supplied in 1000' Wooden Spool



WOODEN SPOOL



CABLE

PG. 2	<input type="checkbox"/> P/N: 062-503/S/BK	<input type="checkbox"/> PRODUCT: CATEGORY 6, STP, 4 PAIR, 1000' WOODEN SPOOL
	<input type="checkbox"/> AUTHOR:	
	<input type="checkbox"/> DATE: 04/03/07 <input type="checkbox"/> REV: 01	

TECHNICAL INFORMATION ABOUT THIS PRODUCT:

MANUFACTURER:

REFERENCE: 062-503/S/BK

DESCRIPTION:

Category-6 STP 1000' 8-Conductor, Bulk, Black-PVC Jacket, (FTP) Shielded AWG23 Solid-Bare Copper, Wooden Spool (UL/ETL)

TECHNICAL SPECS:

Rated Temperature (°C)	70
Rated Voltage (V)	30
Product Standard Certification	CMR
Flammability Test	

Conductor **Solid Bare Copper**

Size	23 AWG
Diameter (mm)	0.570

Insulation **PE**

Average Thickness (mm)	0.22
Min. Point Thickness (mm)	0.19
Insulation Diameter (±0.005mm)	1.01
Twisted Pair Diameter (±0.01)	2.02
Filler	LDPE
Bond	PE Tape
Shield	AL-Foil
Drain Wire (TC)	0.40

Assembly Diameter **6.20**

Jacket **PVC**

Average Thickness (mm)	0.60
Min. Point Thickness (mm)	0.50
Outer Diameter (±0.10mm)	7.80
Rip Cord	Yes
Color	Black

Color of Pairs Blue,White-Blue

Pair 1	Blue,White-Blue
Pair 2	Orange,White-Orange
Pair 3	Green,White-Green
Pair 4	Brown,White-Brown

Mechanical Characteristics

Test Object	Jacket
Test Material	PVC
Before	Tensile Strength (Mpa) >=13.8
Aging	Elongation (%) >=100
Aging Condition (°Cxhrs)	100x168
After	Tensile Strength (Mpa) >=85% of unaged
Aging	Elongation (%) >=50% of unaged
Cold Bend (-20±2° Cx4hrs)	No Crack

**PG.
3**

P/N: 062-503/S/BK

PRODUCT: CATEGORY 6, STP, 4 PAIR, 1000' WOODEN SPOOL

AUTHOR:

DATE: 04/03/07

REV: 01



Marking

VERTICAL E312655 (UL) C(UL) CMR FT4 STP 4PR 23 AWG VERIFIED CAT6 550MHZ
 TIA/EIA - 568B.2-1 (VID:X#) XXXFT
 SEQUENTIAL FOOT MARKERS ON JACKET

Electrical Characteristics:

1.0-100MHz Impedance (Ohms)	100±15
100-250MHz Impedance (Ohms)	100±25
250-550MHz Impedance (Ohms)	100±35
1.0-100.0MHz Delay Skew (ns/100m)	<=45
Pair-to-Ground Capacitance Unbalance (pF/100m)	<=330
Max. Conductor DC Resistance 20°C (ohms/km)	95
Resistance Unbalance (%)	<=5

Frequency (Mhz)	Return Loss (Min dB)	Attenuation Max (dB/100m)	Next (Min dB)
0.772	19.4	1.8	76.0
1	20.0	2.0	74.3
4	23.0	3.8	65.3
8	24.5	5.3	60.8
10	25.0	6.0	59.3
16	25.0	7.6	56.2
20	25.0	8.5	54.8
25	24.3	9.5	53.3
31.25	23.6	10.7	51.9
62.5	21.5	15.4	47.4
100	20.1	19.8	44.3
200	18.0	29.0	39.8
250	17.3	32.8	38.3
350	16.3	39.8	36.1
450	15.5	46.0	34.5
550	14.9	51.7	33.2

Frequency (Mhz)	PSNext Min (dB)	ELFEXT Min(db/100m)	Delay Max(ns/100m)
0.772	74.0	70.0	-----
1	72.3	67.8	570.0
4	63.3	55.8	552.0
8	58.8	49.7	546.0
10	57.3	47.8	545.0
16	54.2	43.7	543.0
20	52.8	41.8	542.0
25	51.3	39.8	541.0
31.25	49.9	37.9	540.0
62.5	45.4	31.9	538.0
100	42.3	27.8	537.0
200	37.8	21.8	536.0
250	36.3	19.8	536.0
350	34.1	17.1	535.0
450	32.5	15.2	534.0
550	31.2	13.2	532.0

**PG.
4**

P/N: 062-503/S/BK

PRODUCT: CATEGORY 6, STP, 4 PAIR, 1000' WOODEN SPOOL

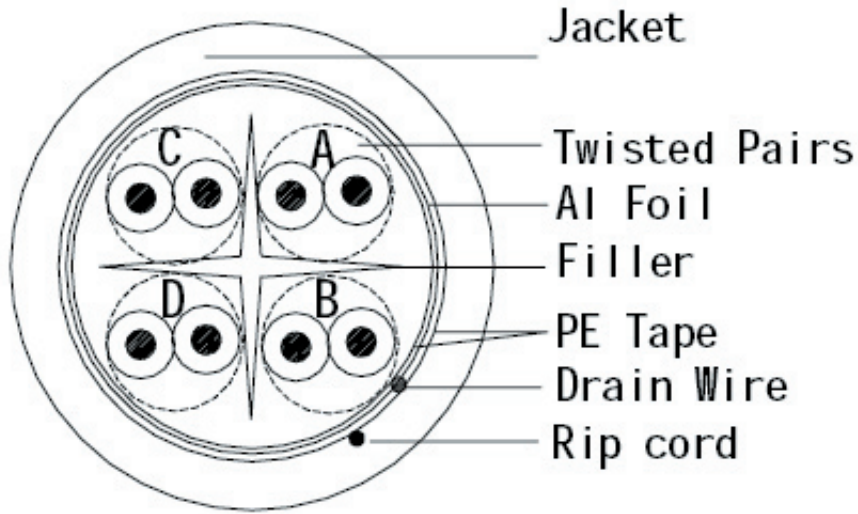
AUTHOR:

DATE: 04/03/07

REV: 01



TECHNICAL DIAGRAM:



LABEL FOR PRODUCTION DATE CONTROL:

THIS UPC LABEL IS PLACED ON EACH 1 UNIT SHIPMENT CARTON.

LABEL: UPC CODE



IMPORTANT NOTE: --

UL FILE NUMBER: E312655

ETL FILE NUMBER: --

PG.
5

P/N: 062-503/S/BK

PRODUCT: CATEGORY 6, STP, 4 PAIR, 1000' WOODEN SPOOL

AUTHOR:

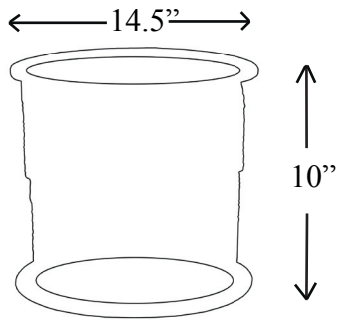
DATE: 04/03/07

REV: 01

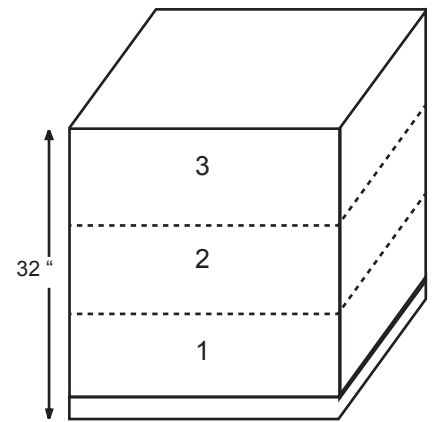
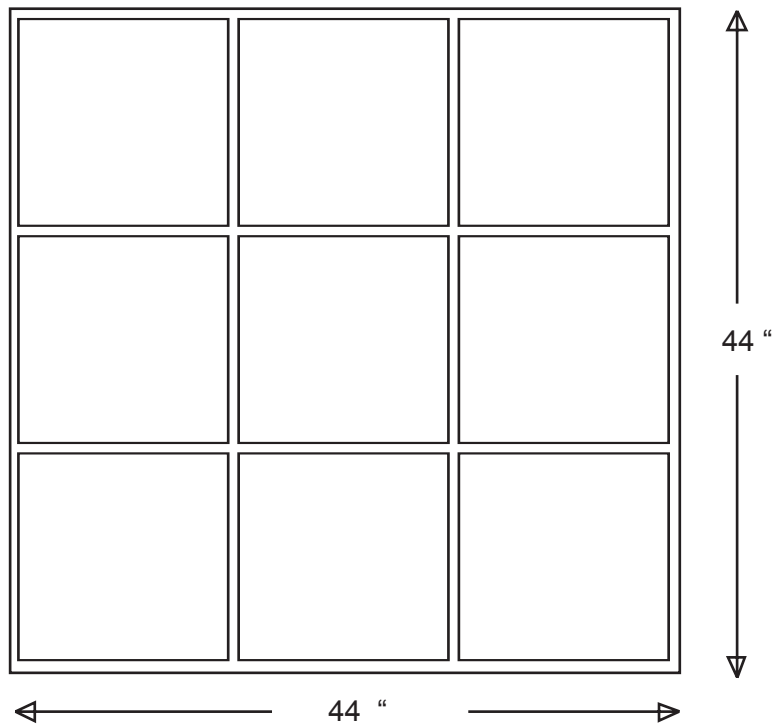



SHIPMENT CARTON:

SHIPMENT CARTON DIMENSION:



SHIPMENT SPOOLS PLACED IN A PALLET (ONE PALLET FITS 27 CARTONS):



PG. 6	<input type="checkbox"/> P/N: 062-503/S/BK	<input type="checkbox"/> PRODUCT: CATEGORY 6, STP, 4 PAIR, 1000' WOODEN SPOOL
	<input type="checkbox"/> AUTHOR:	
	<input type="checkbox"/> DATE: 04/03/07 <input type="checkbox"/> REV: 01	