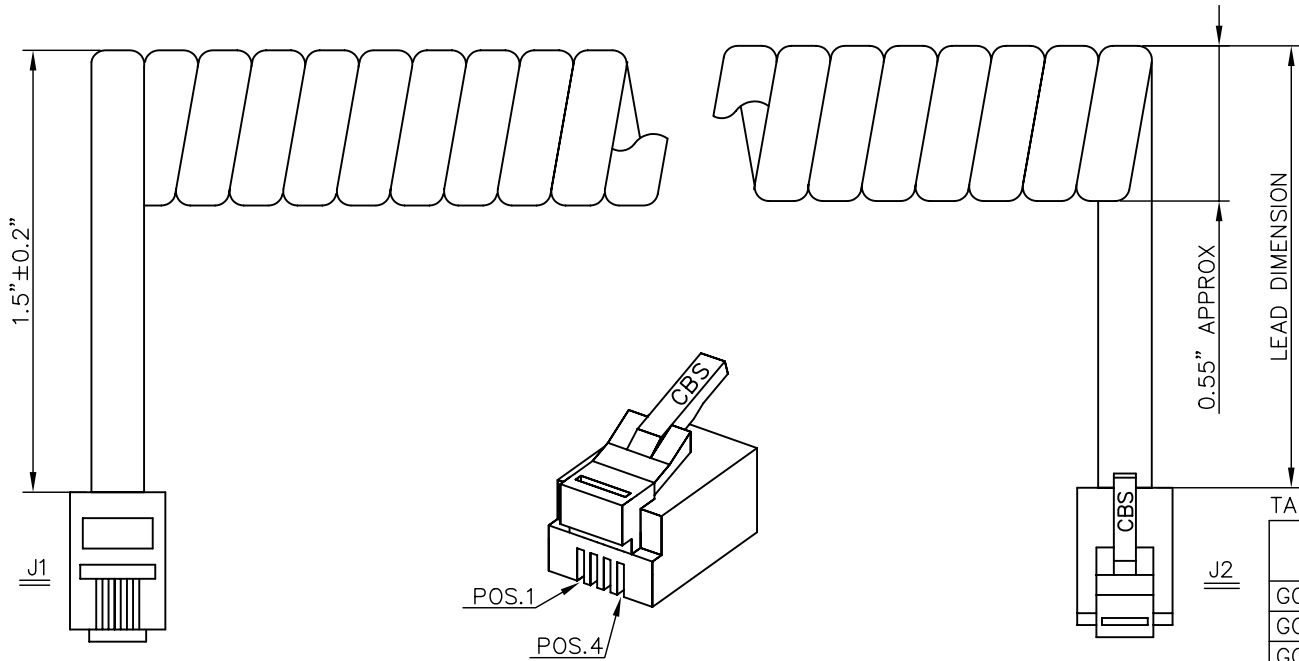


REV	DESCRIPTION	Date	APPROVED
A	PRODUCTION RELEASE	10/25/06	
B	FIX P/N, MODIFY CARTON DIM	12/11/06	
C	MODIFY GOLD PLATING	01/10/07	



4	YELLOW	1
3	GREEN	2
2	RED	3
1	BLACK	4
J1	WIRE COLOR	J2
WIRE CONNECTION TALBE		

LEAD DIMENSION

	LEAD DIMENSION	ITEM NO.
STANDARD	1.5" ±0.2"	GCHA444XXX-XXX
4" LEADS	4.0" ±0.3"	GCHA444XXX-XXX4
9.5" LEADS	9.5" ±0.3"	GCHA444XXX-XXXN

TABLE 1 Ⓑ

ITEM NO.	EXTENDED LENGTH (FT)	BAG SIZE	# OF OUTER BAGS/ MASTER CARTON
GCHA444006-XXX	6	A	5
GCHA444012-XXX	12	B	3
GCHA444025-XXX	25	B	2

COLOR NAME	I/N 6FT	I/N 12FT	I/N 25FT
IT ASH	GCHA444006-FAI	GCHA444012-FAI	GCHA444025-FAI
NT ASH	GCHA444006-FAN	GCHA444012-FAN	GCHA444025-FAN
DARK ASH	GCHA444006-FAR	GCHA444012-FAR	GCHA444025-FAR
BEIGE	GCHA444006-FBG	GCHA444012-FBG	GCHA444025-FBG
GLOSS BLACK	GCHA444006-FBK	GCHA444012-FBK	GCHA444025-FBK
BROWN	GCHA444006-FBR	GCHA444012-FBR	GCHA444025-FBR
MEDIUM GRAY	GCHA444006-FDG	GCHA444012-FDG	GCHA444025-FDG
FLAT BLACK	GCHA444006-FFB	GCHA444012-FFB	GCHA444025-FFB
DOLPHIN GRAY	GCHA444006-FGY	GCHA444012-FGY	GCHA444025-FGY
ITT IVORY	GCHA444006-FIV	GCHA444012-FIV	GCHA444025-FIV
LIGHT ASH	GCHA444006-FLA	GCHA444012-FLA	GCHA444025-FLA
LIGHT GRAY	GCHA444006-FLG	GCHA444012-FLG	GCHA444025-FLG
MISTY CREAM	GCHA444006-FMC	GCHA444012-FMC	GCHA444025-FMC
DARK GRAY	GCHA444006-FMG	GCHA444012-FMG	GCHA444025-FMG
OFF WHITE	GCHA444006-FOW	GCHA444012-FOW	GCHA444025-FOW
PEARL GRAY	GCHA444006-FPG	GCHA444012-FPG	GCHA444025-FPG
WHITE	GCHA444006-FWH	GCHA444012-FWH	GCHA444025-FWH
CHERRY RED	GCHA444006-FCR	GCHA444012-FCR	GCHA444025-FCR
VODAVI GRAY	GCHA444006-FVG	GCHA444012-FVG	GCHA444025-FVG
VODAVI MAROON	GCHA444006-FVM	GCHA444012-FVM	GCHA444025-FVM

NOTES:

- TELEPHONE CORD: UL STYLE 20251, CSA II A/B
- JACKET: MATERIAL: FLAT, FLAME RETARDANT PLOYVINYL CHLORIDE (FR-PVC)
INSULATION MATERIAL: POLYPROPYLENE (PP)
CONDUCTOR MATERIAL: STRANDED TINSEL WIRE 32 AWG (4/T250)
- Ⓒ MODULAR PLUG: UL AND cUL RECOGNIZED
HOUSING: POLYCARBONATE (PC), UL94V-2
CONTACT: HIGH STRENGTH COPPER ALLOY
6u" GOLD PLATING OVER 100 MICRO INCH NICKEL
- PACKAGING:
 - A. PACKAGE PER PKBAG: 1PC/BAG, TYPE I, SIZE: SEE TABLE 1
PRINTING PER PKLOGO-FIGURE1.
LABEL PER PKLABEL-BAG LABEL.
 - B. OUTER BAG: 50 BAGS/OUTER BAG, LABELING PER PKLABEL.
 - Ⓑ C. MASTER CARTON: # OF OUTER BAGS/CARTON, SEE TABLE1,
SIZE 457x340x245 MM
PRINTING AND LABELING PER PKCARTON.

UNLESS OTHERWISE SPECIFIED DIMENSION TOLERANCES ARE DECIMALS ANGULAR .X +/- .050 +/- 0.5 .XX +/- .010 .XXX +/- .005 DO NOT SCALE DRAWING	CABLESYS		
	14700 E ALONDRA BLVD, LA MIRADA, CA 90638 WWW.CABLESYS.COM		
UL20251 HANDSET CORD ASSEMBLY			
DESIGNER T.L.	SIZE A	FILE NO. OFFSHELF ASSEMBLY\GCHA444LLL-XXX	REV. C
DRAFTSMAN N.T.	UNIT INCH	PAGE NO. 1/1	ITEM NO. GCHA444LLL
APPROVED BY	SCALE NTS	DATE 10/25/06	DWG NO. HA444LLL

Approved by: _____ Title: _____ Date: _____