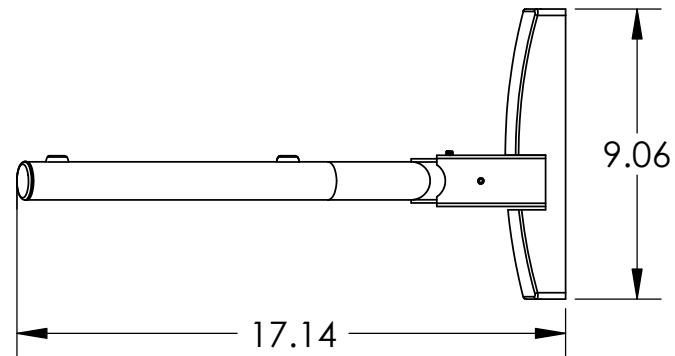
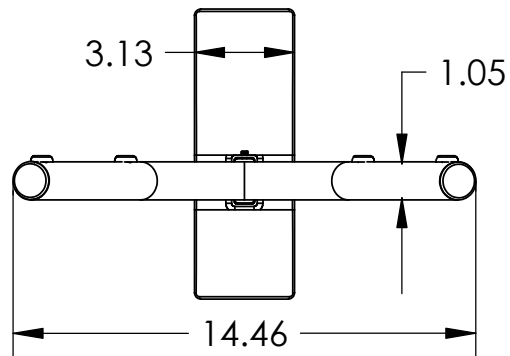
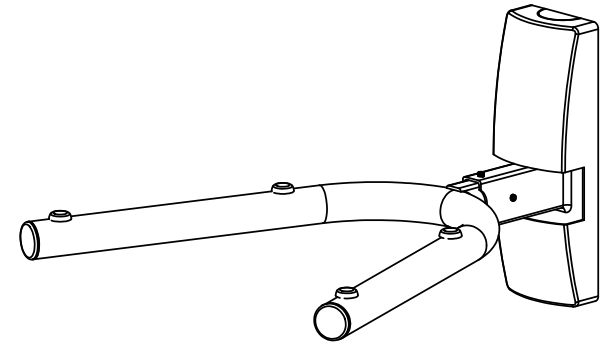


Maximum Weight Capacity: 45lbs.



	NAME	DATE	SANUS SYSTEMS	
DRAWN	NAS	10/25/05		
CHECKED			TITLE: VMAV	
ENG APPR.				
MFG APPR.				
Q.A.				
Vision Mount			SCALE: 1:6	SHEET 1 OF 1

PROPRIETARY AND CONFIDENTIAL
 THE INFORMATION CONTAINED IN THIS DRAWING IS THE SOLE PROPERTY OF SANUS SYSTEMS. ANY REPRODUCTION IN PART OR AS A WHOLE WITHOUT THE WRITTEN PERMISSION OF SANUS SYSTEMS IS PROHIBITED.